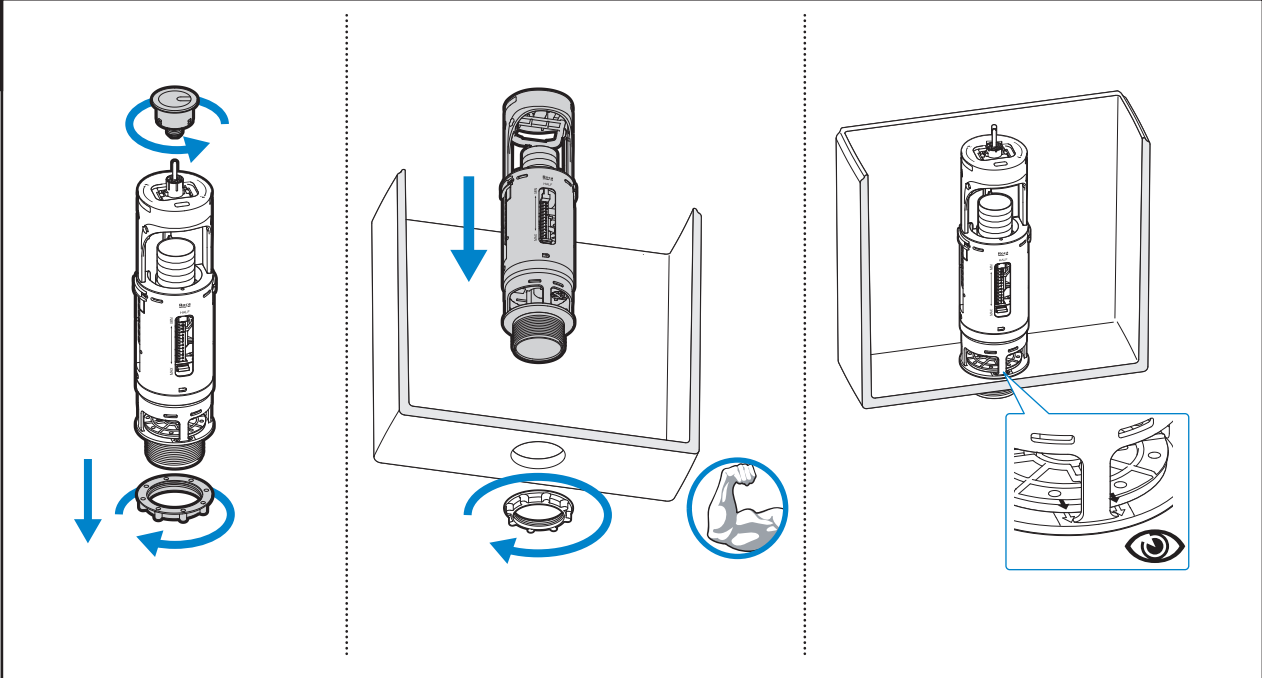
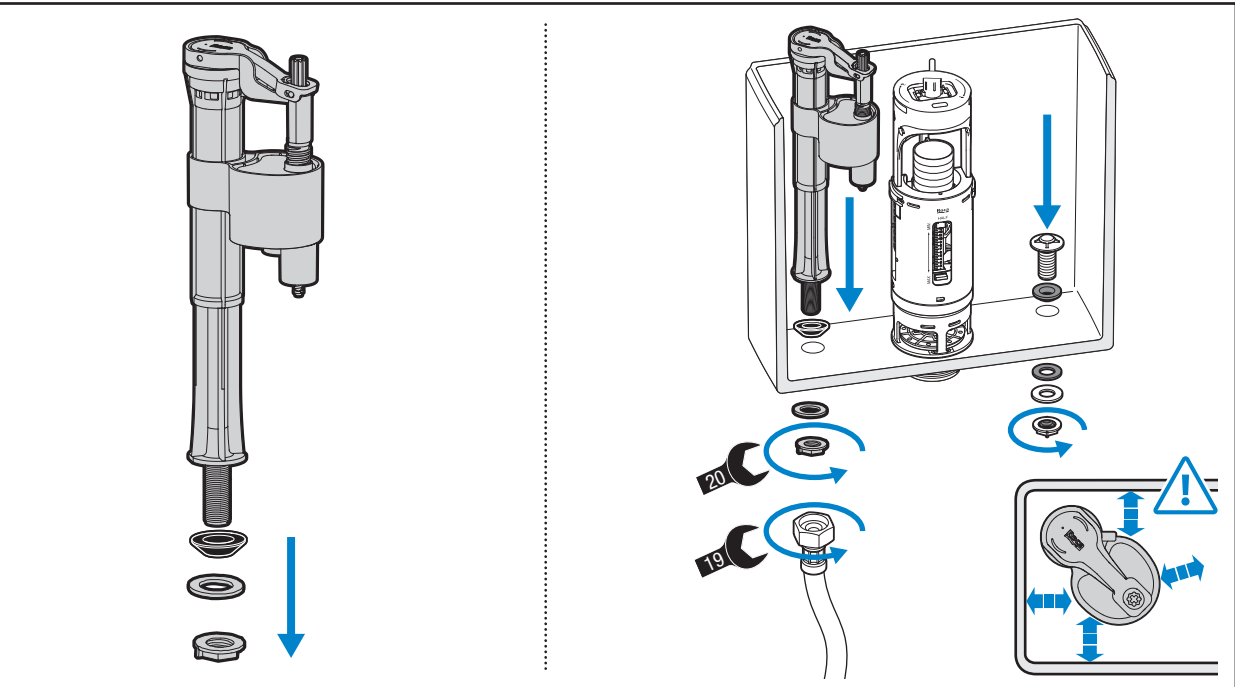


1

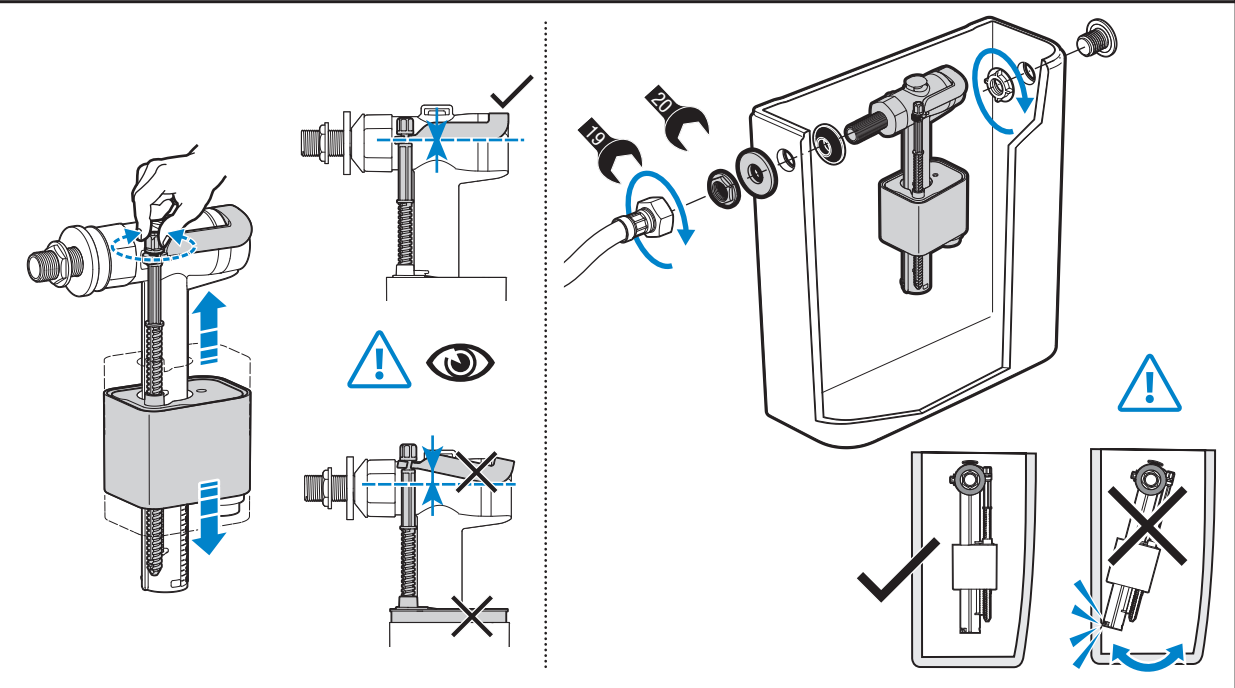


2

A

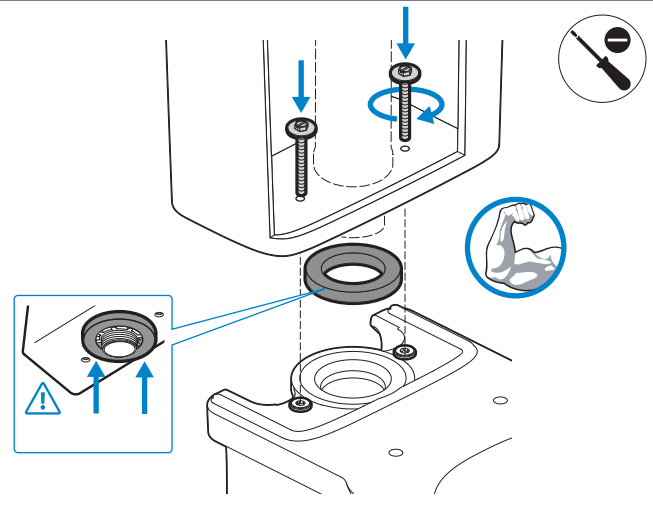
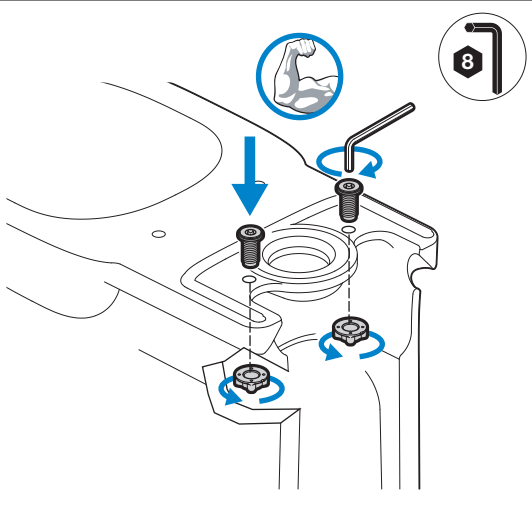


B

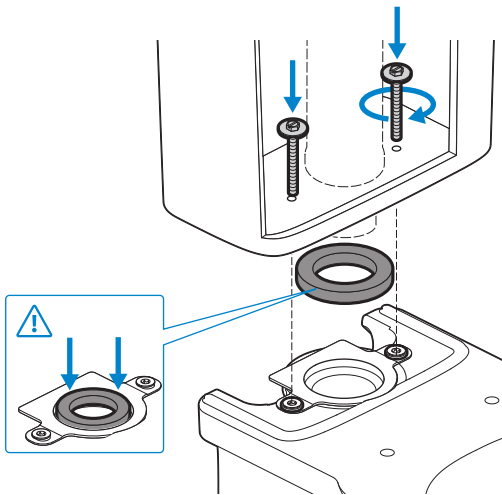


3

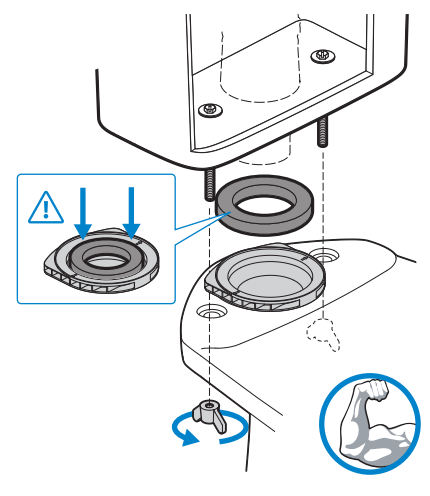
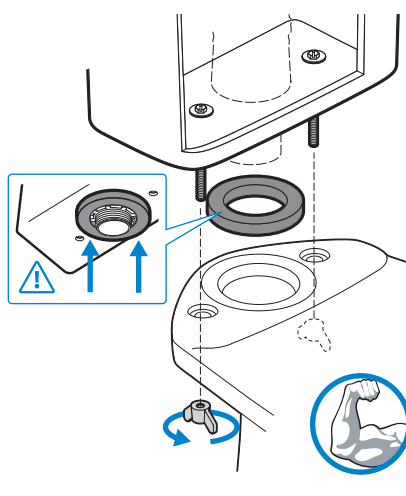
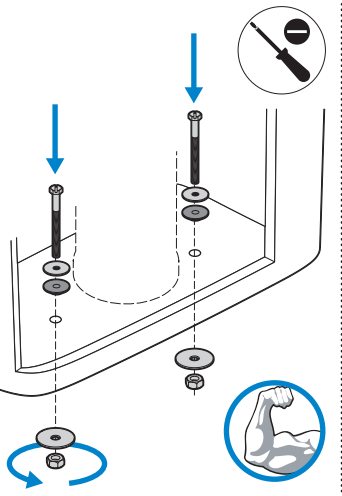
A



B

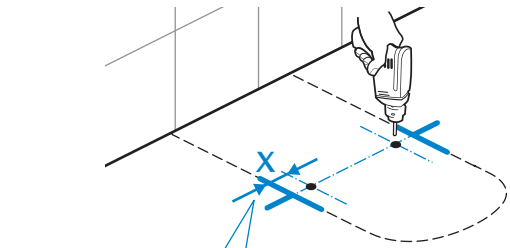
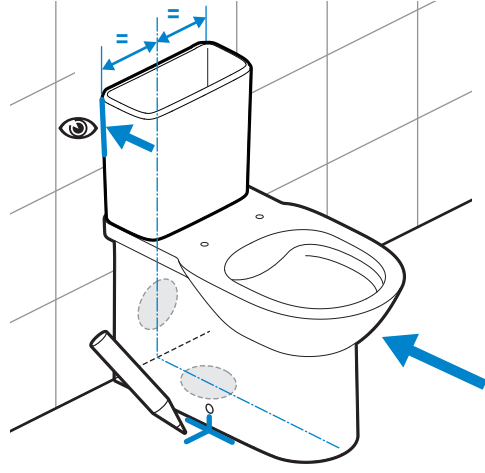


C

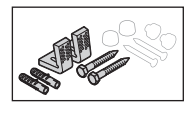


4

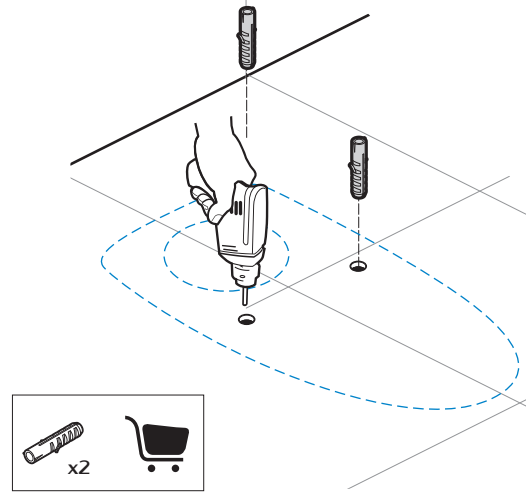
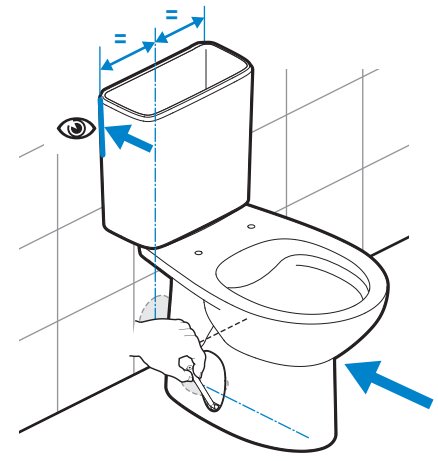
A



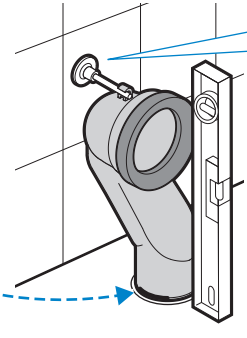
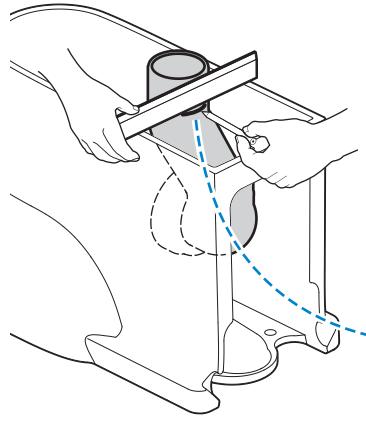
Y ≈ 10 → X = 45
 Y ≥ 14 → X = 60
 [mm]



B



5



1

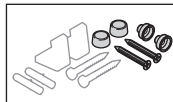
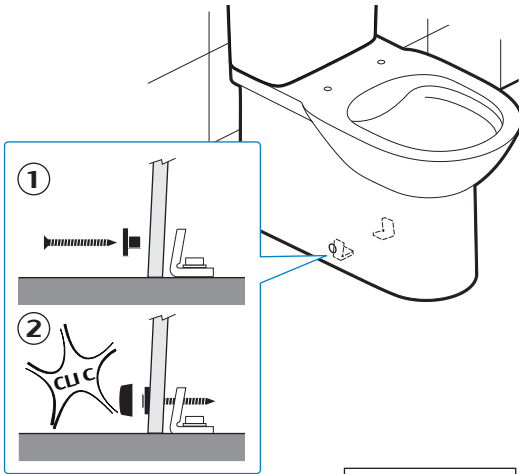
2

6

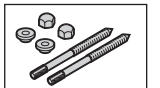
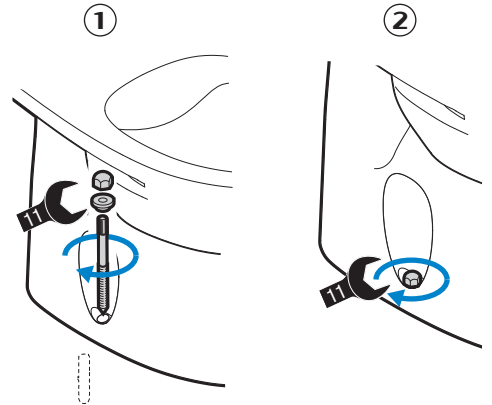


7

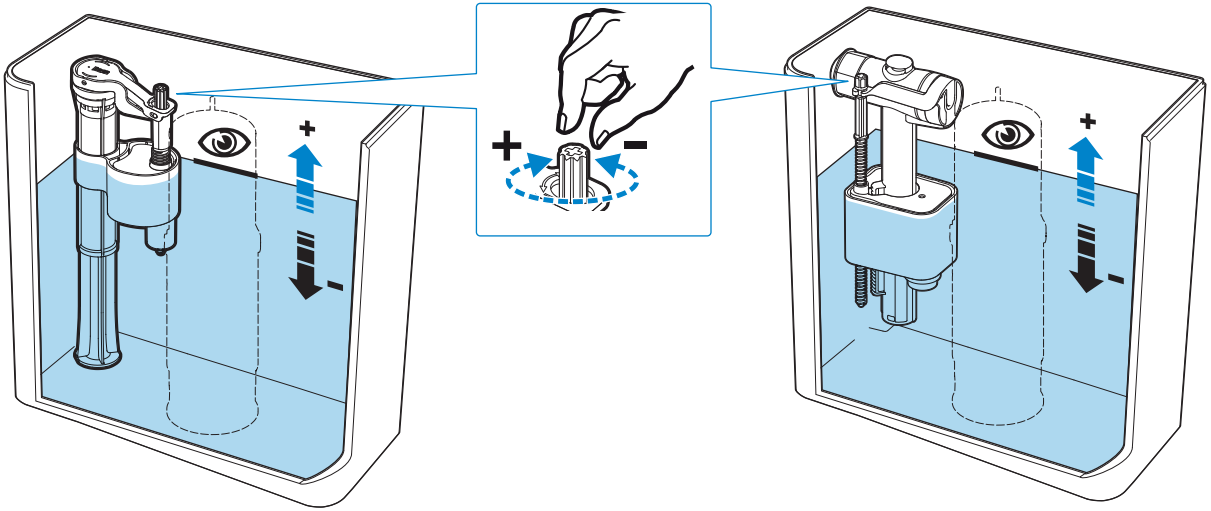
A



B



8



9

