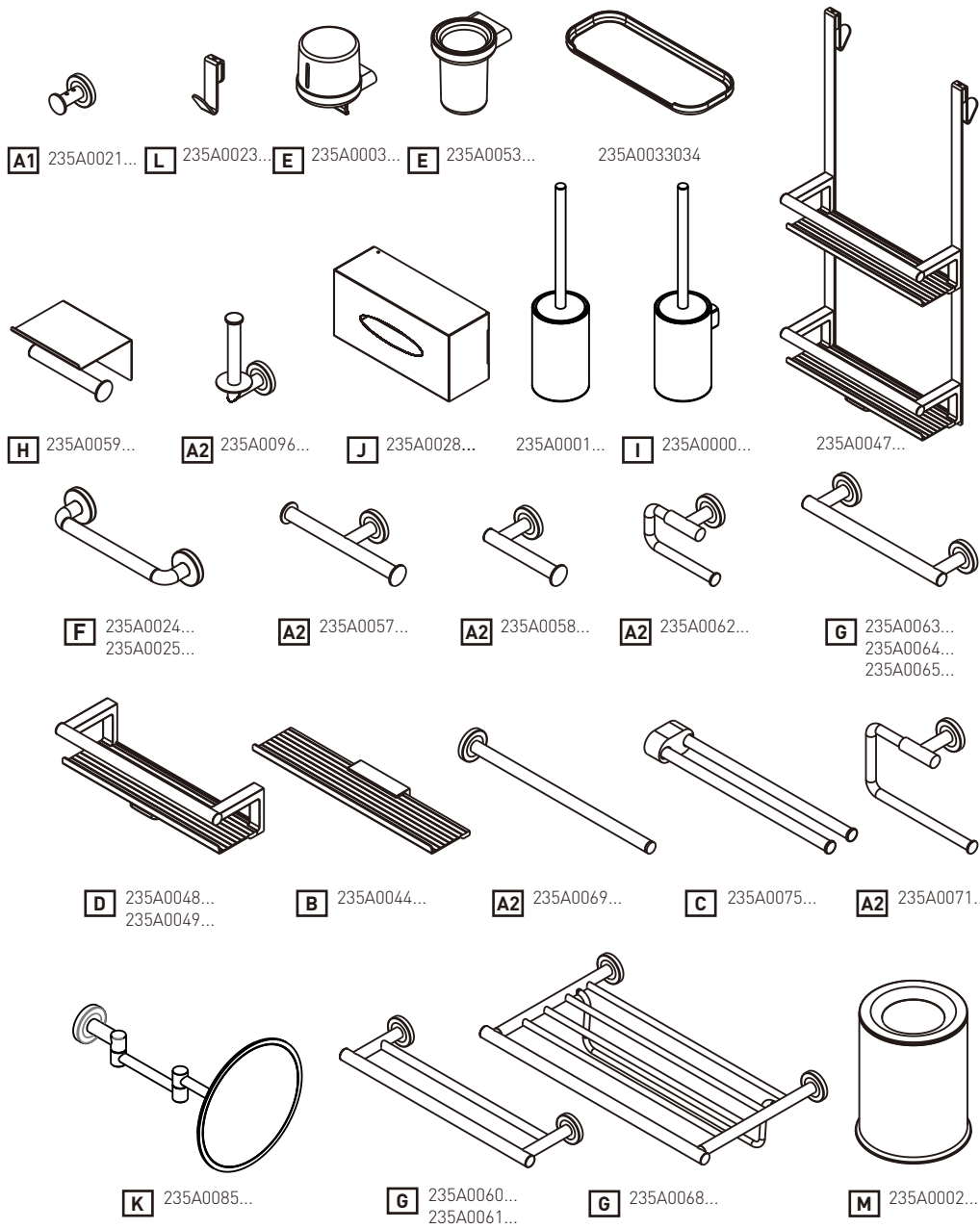


Architect S⁺



COSMIC

A1
235A0021...

x3 x3
x2 x1
x1 x1

A2
235A0057... 235A0069...
235A0058... 235A0071...
235A0062... 235A0096...

x3 x3
x2 x1
x1 x1

B **X**
235A0044... 40(1-9/16")

x3 x3
x3 x1

C
235A0075...

x3 x3
x2 x1
x1 x1

D	X	Y
235A0048...	35(1-3/8")	329(12-15/16")
235A0049...		

x4 x4 x2

CLICK

E	X
235A0003...	23(7/18")
235A0053...	

mm-in

SOAP

15 times

x3 x3 x2 x1 x1

F	X
235A0024...	240(9-7/16")
235A0025...	390(15-3/8")

300/450
282/432
240/390

CLICK

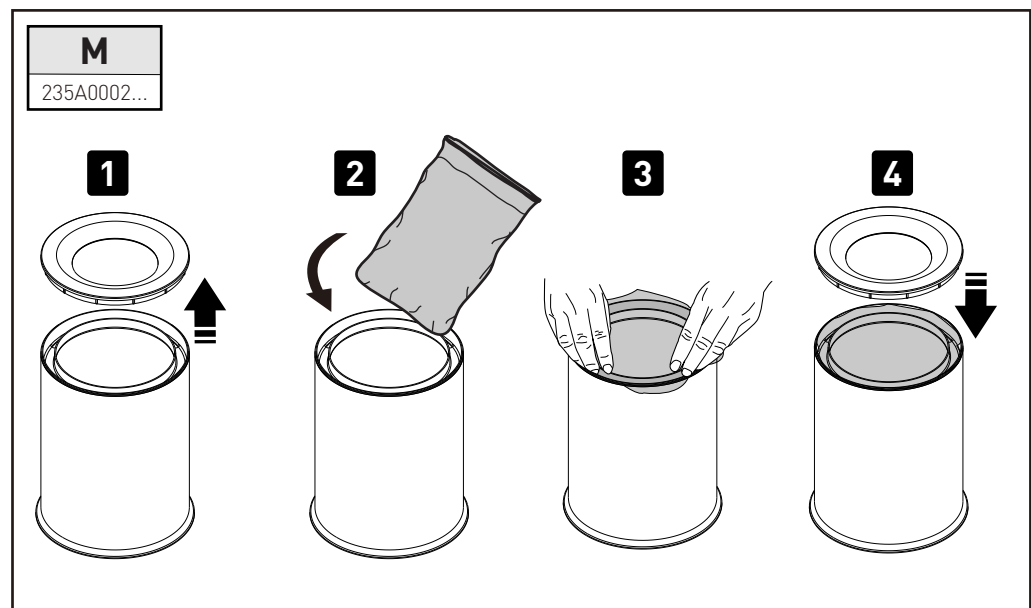
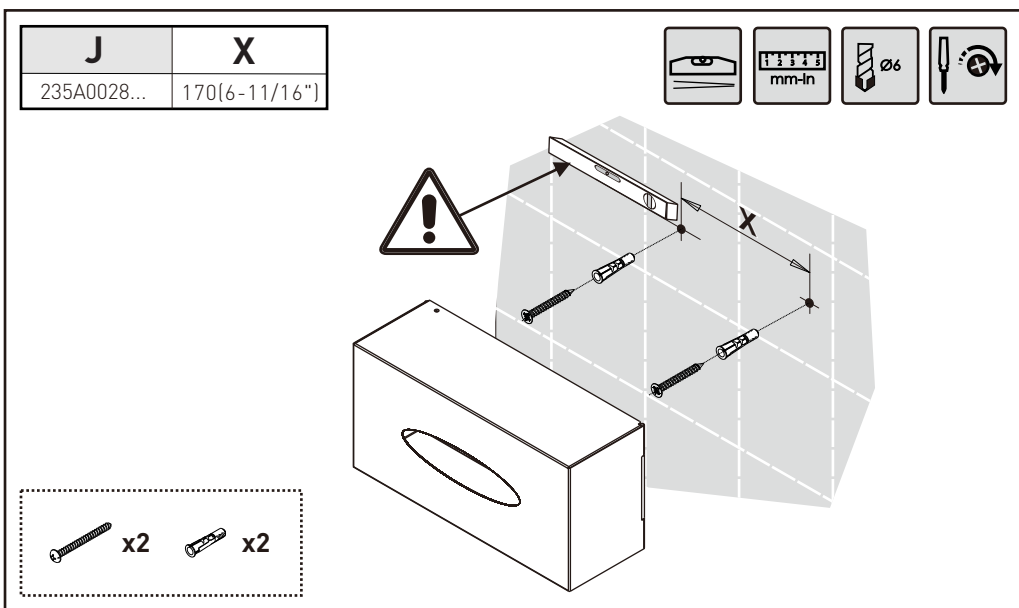
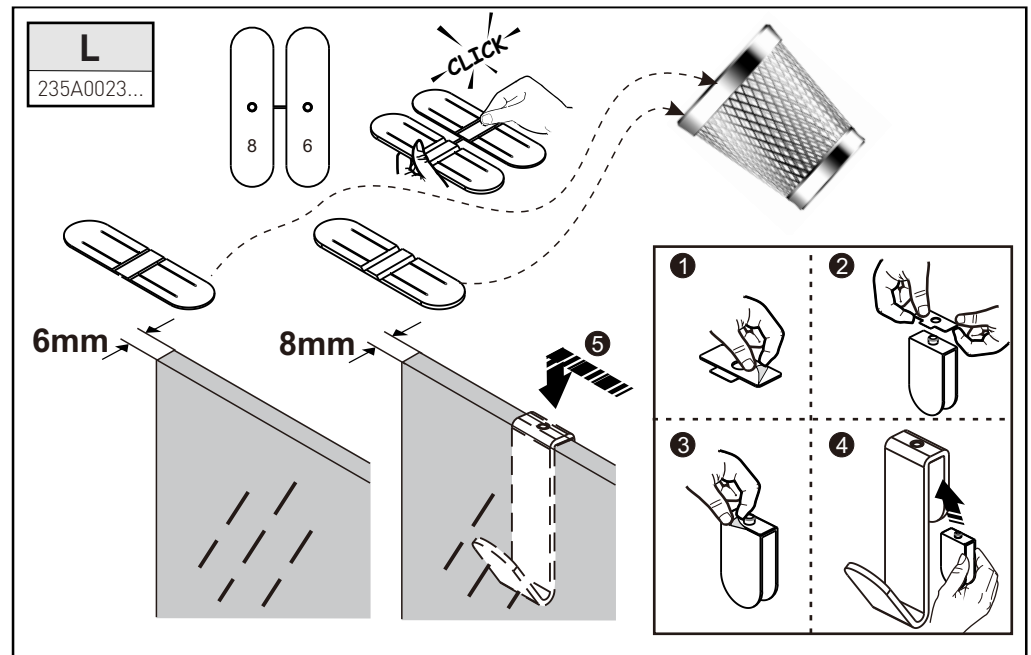
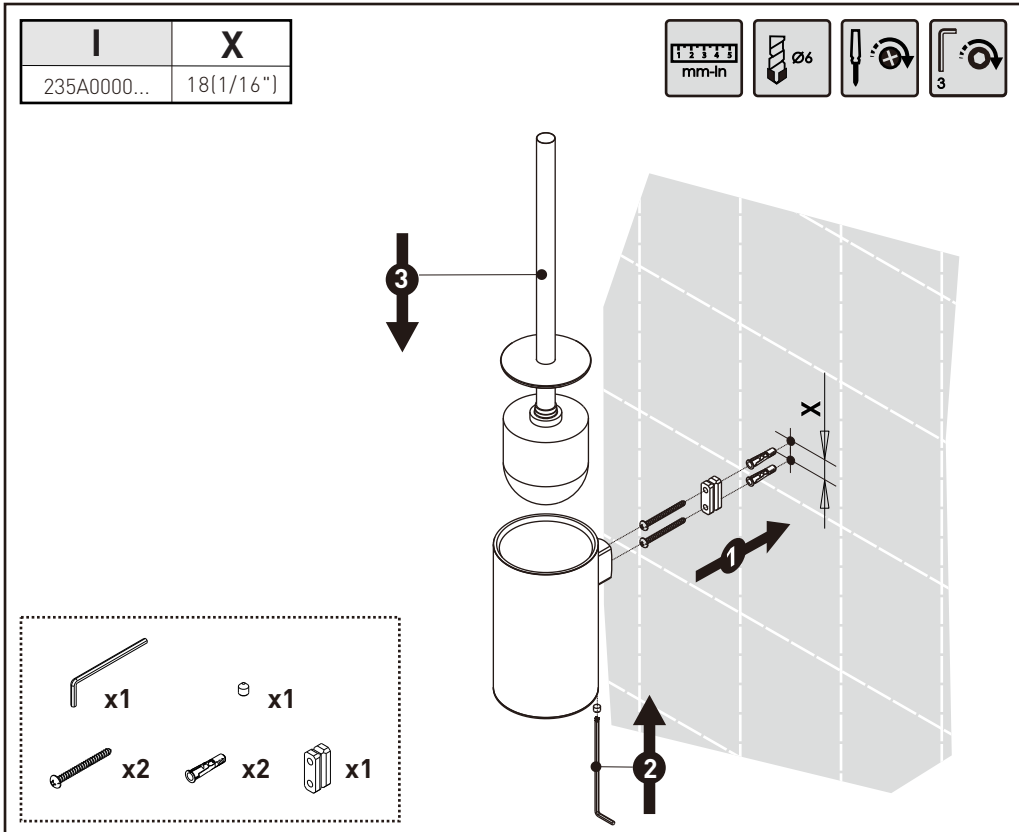
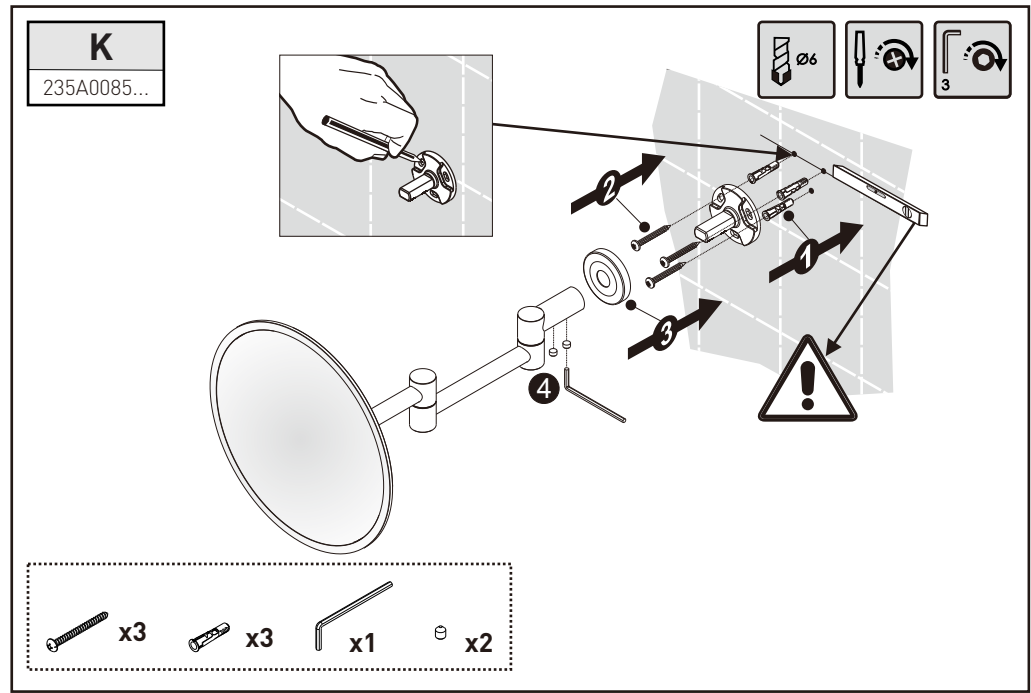
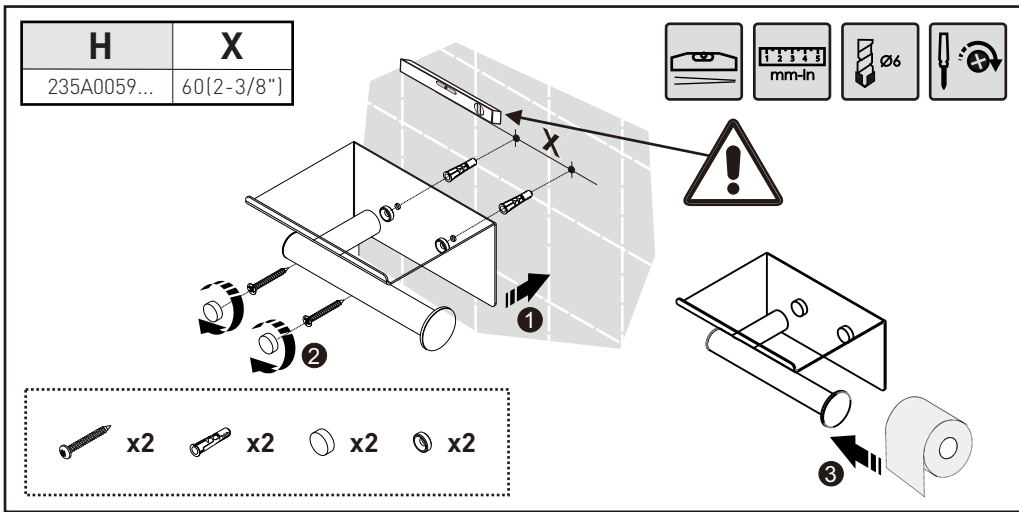
x6 x6

G	X
235A0060...	544(21-7/16")
235A0061...	410(16-1/8")
235A0063...	260(10-1/4")
235A0064...	410(16-1/8")
235A0065...	544(21-7/16")
235A0068...	495(19-1/2")

mm-in

1 2 3

x6 x6 x4 x2 x1



ES

Este producto se suministra con tacos universales de alta calidad aptos para cualquier tipo de anclaje.

EN

This product is supplied with universal high quality wall plugs suitable for any type of anchoring.

FR

Ce produit est fourni avec des bouchons universels de haute qualité adaptés à tout type d'ancrage.

PT

Este produto é fornecido com tacos universais de alta qualidade, adequadas para qualquer tipo de ancoragem.

IT

Questo prodotto è fornito con tappi universali di alta qualità adatti a qualsiasi tipo di ancoraggio.

DE

Dieses Produkt wird mit hochwertigen Universdübel geliefert, die für jede Art von Wandtyp geeignet sind.

NL

Dit product wordt geleverd met universele hoogwaardige pluggen die geschikt zijn voor elk type verankering.

COSMIC

INDUSTRIAS COSMIC, S.A.U.
CENTRAL OFFICE & SHOWROOM
C/ ESQUEIS, S/N LOCAL 1
POL. IND. CAN BARRI P.O. BOX 019
08415 BIGUES I RIELLS, BARCELONA SPAIN
PRODUCT DELIVERIES & RETURNS
AVDA. GENERALITAT, 231
08840 VILADECANS, BARCELONA SPAIN
CENTRAL OFFICE TEL +34 938 654 277

info@icosmic.com
www.icosmic.com