

TOTO®

MS624124CEFG

Legato® One-Piece High-Efficiency Toilet, 1.28GPF

FEATURES

- Tornado Flush® system, high-efficiency (1.28 GPF/4.8 LPF)
- CEFIONTECT® ceramic glaze prevents debris and mold from sticking to ceramic surfaces
- Specially designed to accommodate a WASHLET®+
- Skirted design
- Universal Height
- Elongated front bowl and seat
- 12" Rough-in
- Chrome plated trip lever

MODELS

- **MS624124CEFG** (#01, #03, #11, #12)
With CEFIONTECT ceramic glaze, includes seat SS124
- **MS624124CEF** (#51)
Without CEFIONTECT ceramic glaze & includes seat SS124

OPTIONAL COMPONENTS

- **SS234**
SoftClose Seat
- **TSU03W.10R**
10" Unifit Rough-In
- **TSU03W.14R**
14" Unifit Rough-In

COLORS/FINISHES

- | | |
|--------------------|---|
| • #01 Cotton | Made to Order <ul style="list-style-type: none">• #03 Bone• #11 Colonial White• #51 Ebony
(Without CEFIONTECT) |
| • #12 Sedona Beige | |
| | |
| | |

PRODUCT SPECIFICATION

The one-piece high-efficiency Tornado Flush system toilet shall be 1.28 GPF/4.8 LPF. Toilet shall be 12" Unifit rough-in. Toilet shall have optional CEFIONTECT ceramic glaze and be at Universal Height. Toilet shall have elongated front bowl with SoftClose seat and Polished Chrome trip lever. Toilet shall be TOTO Model MS624124CEF ____.



 **Tornado Flush**

 **Skirted Design**

 **CEFIONTECT**

CODES/STANDARDS

- Meets or exceeds ASME A112.19.2/CSA B45.1
- Certifications: IAPMO(cUPC), EPA Watersense, State of Massachusetts, City of Los Angeles, and others
- Code compliance: UPC, IPC, NSPC, NPC Canada, and others
- Legislative Compliance: California AB715, California Green Building Code, City of Los Angeles Water Efficiency Ordinance
- ADA compliant (when installed with trip lever located on the approach side)
- Complies with CA Prop 65 warning requirements



MS624124CEFG

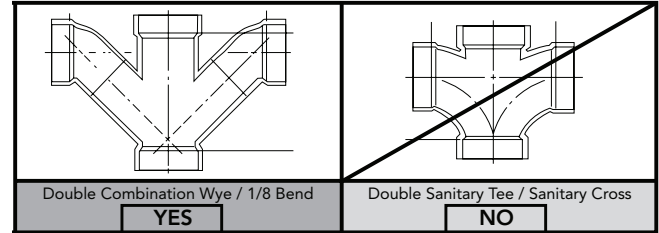
Legato® One-Piece High-Efficiency Toilet, 1.28GPF

SPECIFICATIONS

Water Use	1.28 GPF (4.8 LPF)
Flush System	Tornado Flush®
Min. Water Pressure	8 psi (Flowing)
Water Surface	7-3/4" x 9-3/8"
Trap Diameter	2-1/8"
Rough-in	12" (10" & 14" Optional)
Trap Seal	2-1/8"
Warranty	One Year Limited Warranty
Material	Vitreous China
Shipping Weight	119 lbs
Shipping Dimensions	30" L x 19" W x 29-5/8" H ¹ x 18-1/2" H ²

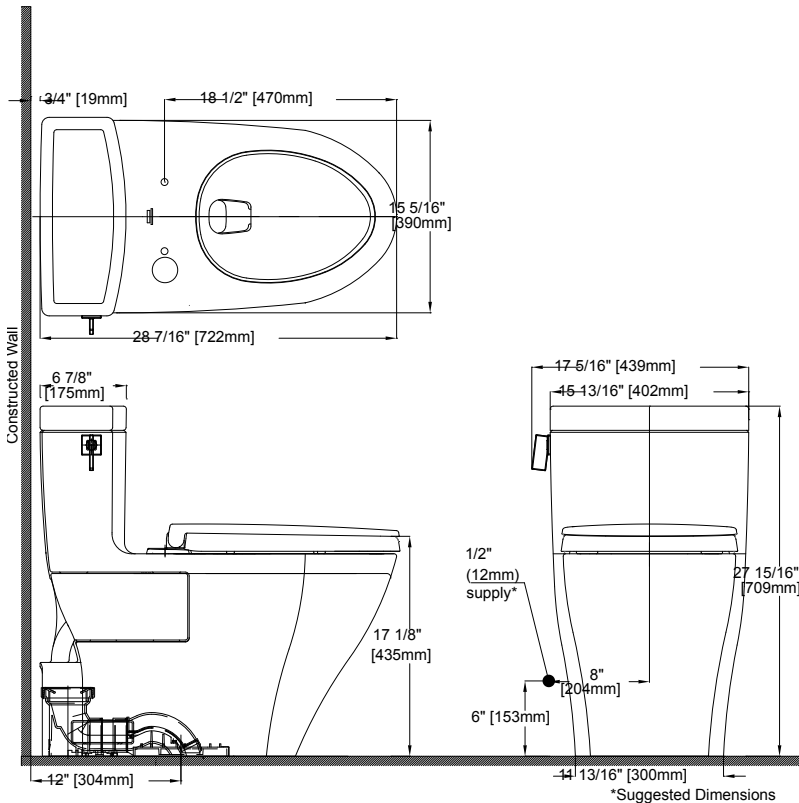
INSTALLATION NOTES

Back-to-Back Toilet Installations:
 TOTO recommends the use of a nationally listed, double sanitary tee-wye only, in vertical waste stacks, in accordance with the stipulations noted in the majority of nationally recognized plumbing codes.



To maintain adequate wall gap between the back of the tank and wall, mount the floor flange at a nominal 12" rough-in distance.

DIMENSIONS



TOTO®

These dimensions and specifications are subject to change without notice

Ph: (888) 295-8134 | Fax: (800) 699-4889 | www.totousa.com | © TOTO USA

SS-01329 v.06