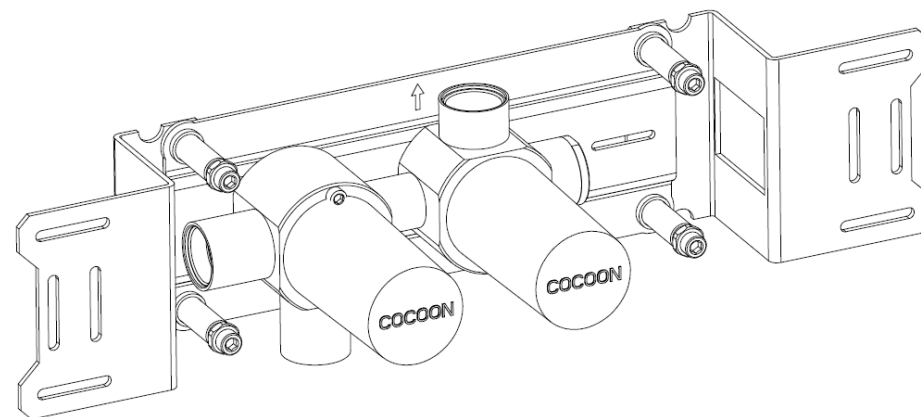


by COCOON



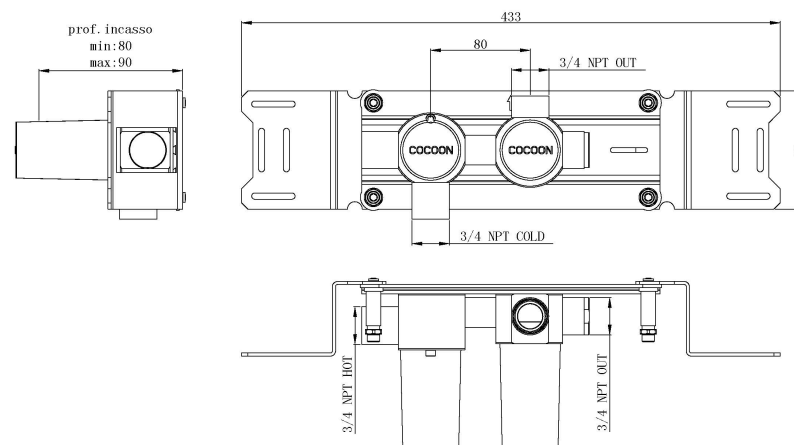
BOX04-VALVE-USA (High Flow)



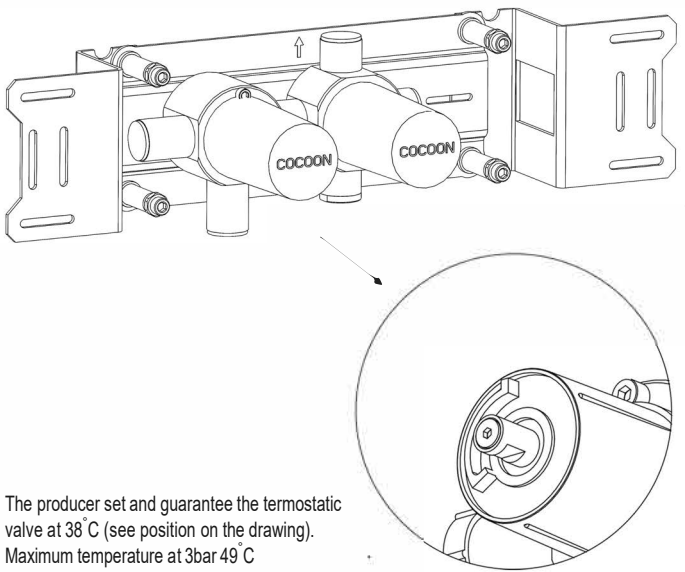
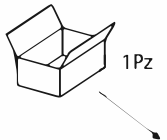
Please ensure you comply with the following instructions to optimise performance of the mixer:

- All pipework must be thoroughly flushed prior to installation
- For USA installation, please fix the USA NPT adapters on top of the pre-installed water connections
- Always first test the system with water pressure before closing the walls
- Optimal water pressure 3 BAR / temperature should not exceed 65°C/149°F
- Please read all installation instructions carefully

Failure to comply with manufacturers recommendations will void warranty

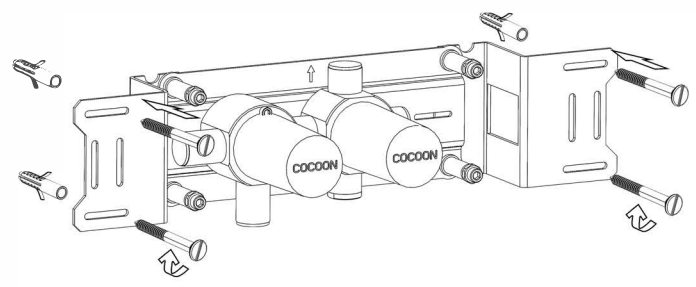


1

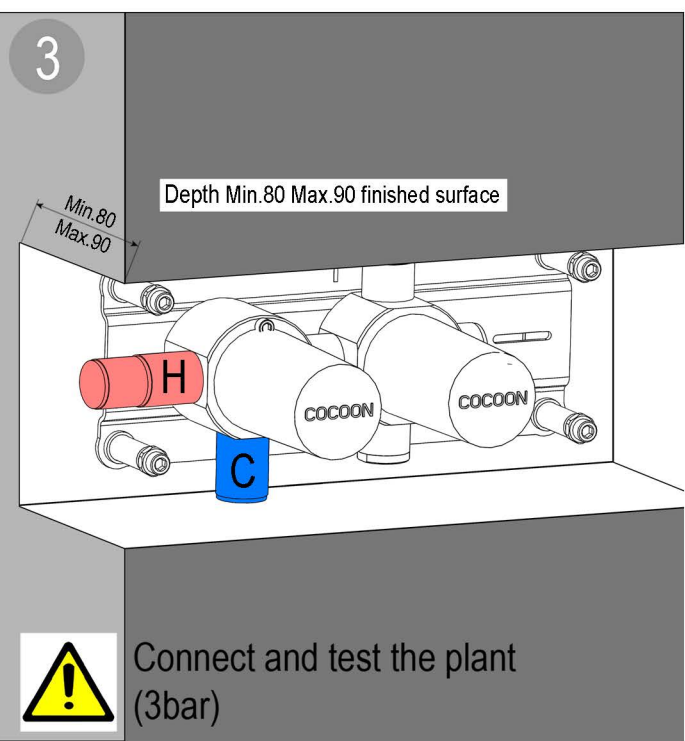


The producer set and guarantee the thermostatic valve at 38°C (see position on the drawing).
Maximum temperature at 3bar 49 C

2



3

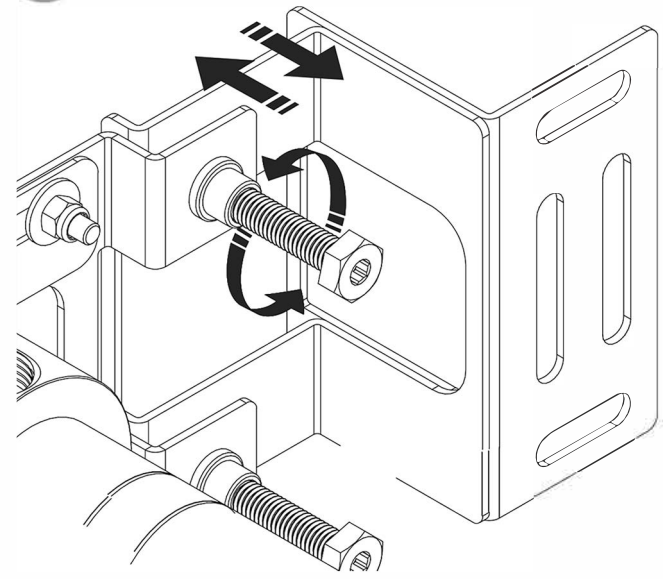


Depth Min.80 Max.90 finished surface

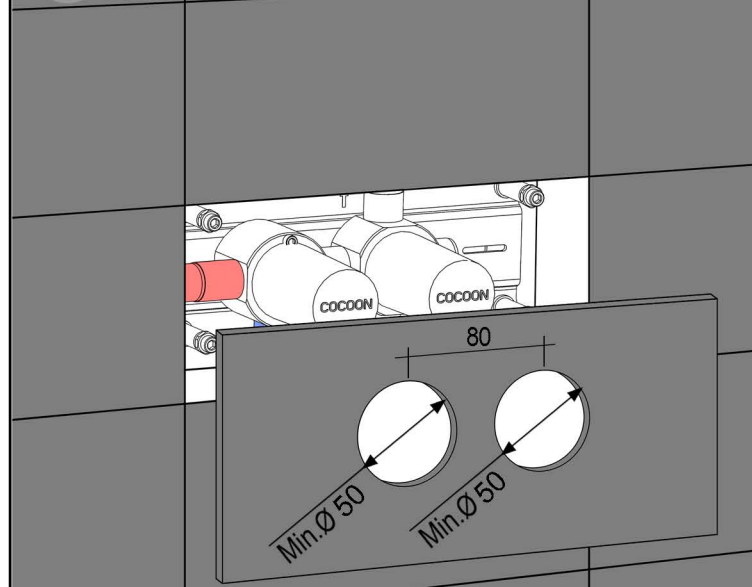


Connect and test the plant
(3bar)

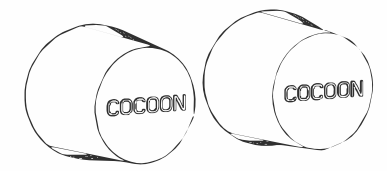
4



5



6



BOX04-VALVE-USA