











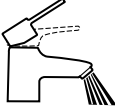

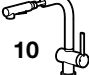
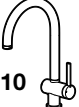
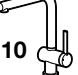
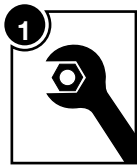


Roca

Ona

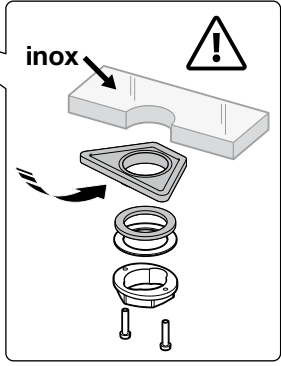
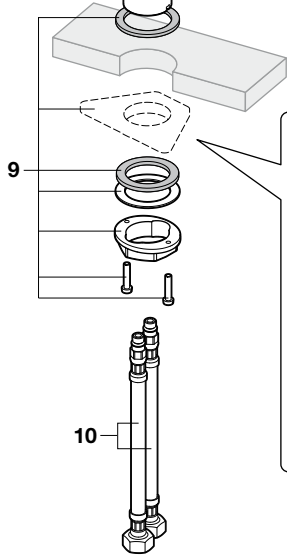
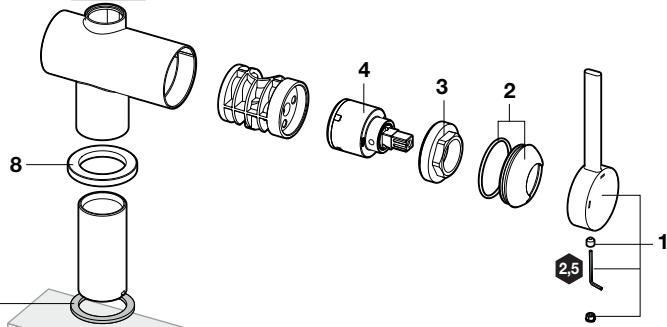
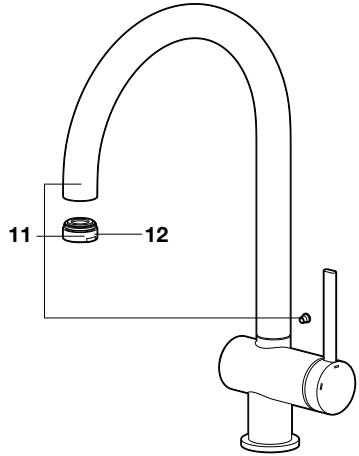
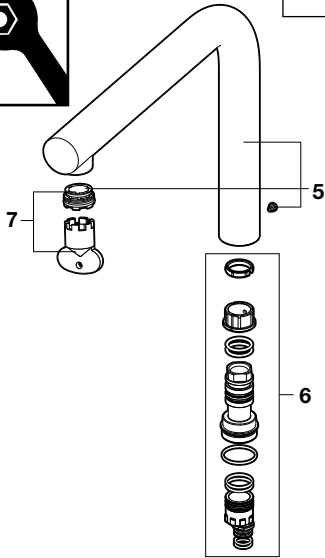


 P 	P bar	 MAX. 10	
 P 	P bar	MIN. 1  MAX. 5	2  3 
 T	°C	 -80 MAX. -45 MIN.  -65 -50 	
 Q (3 bar)	l/min	6  10 	10  10 



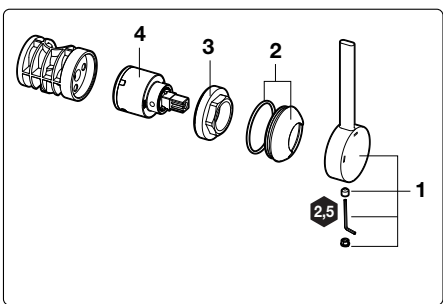
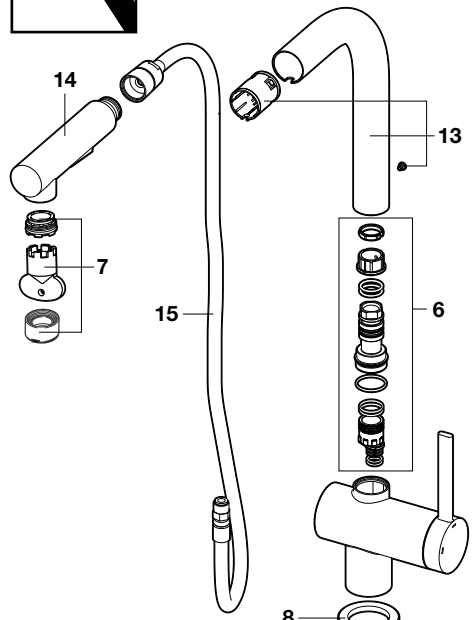
A5A831F

A5A841F

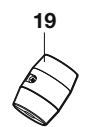
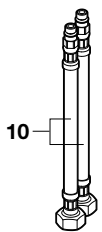
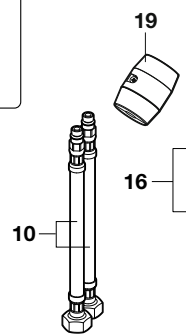
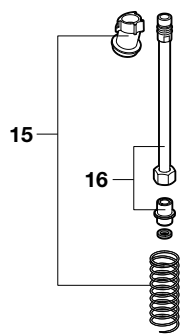
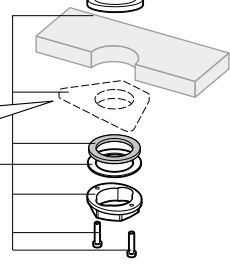
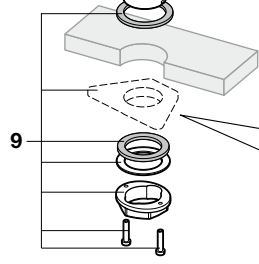
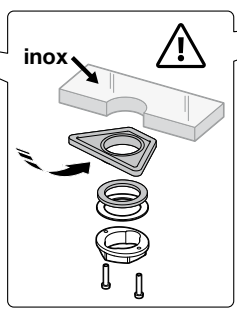
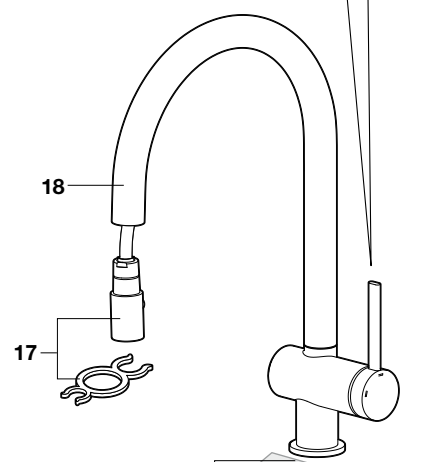


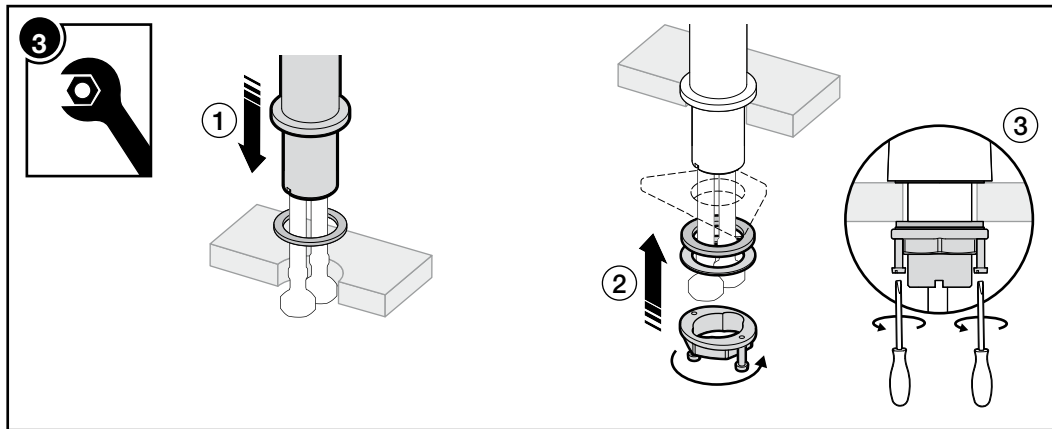


A5A851F

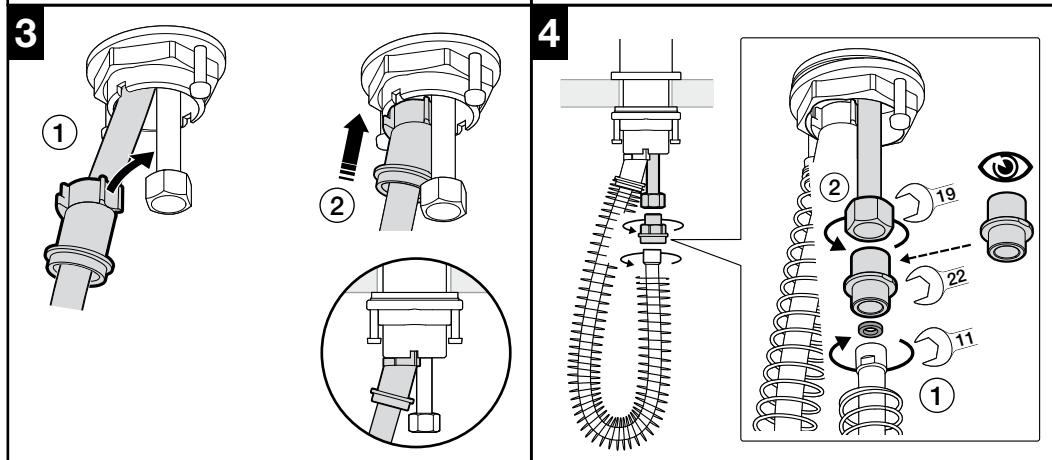
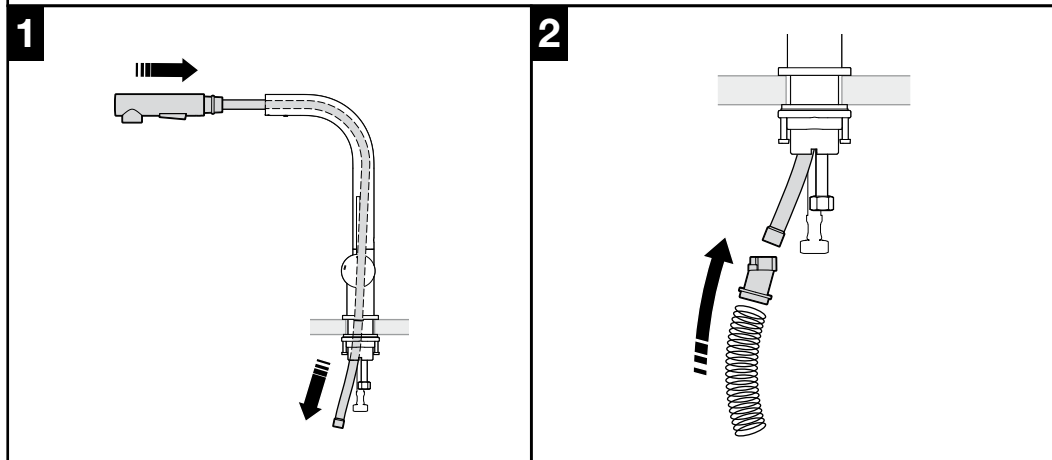


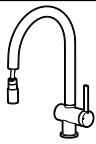
A5A811F





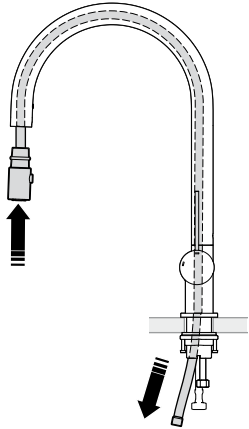
A5A851F



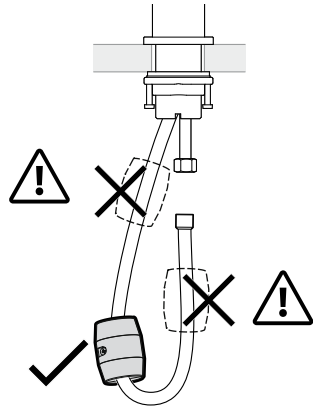


A5A811F

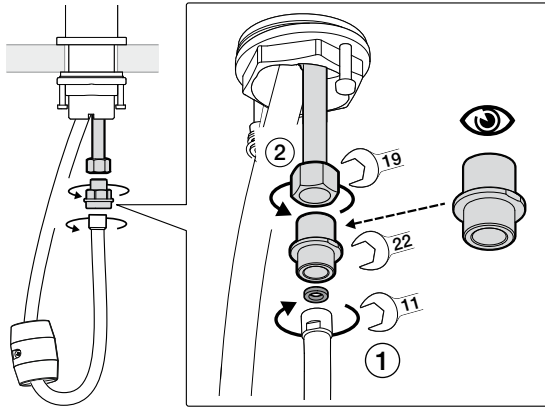
1



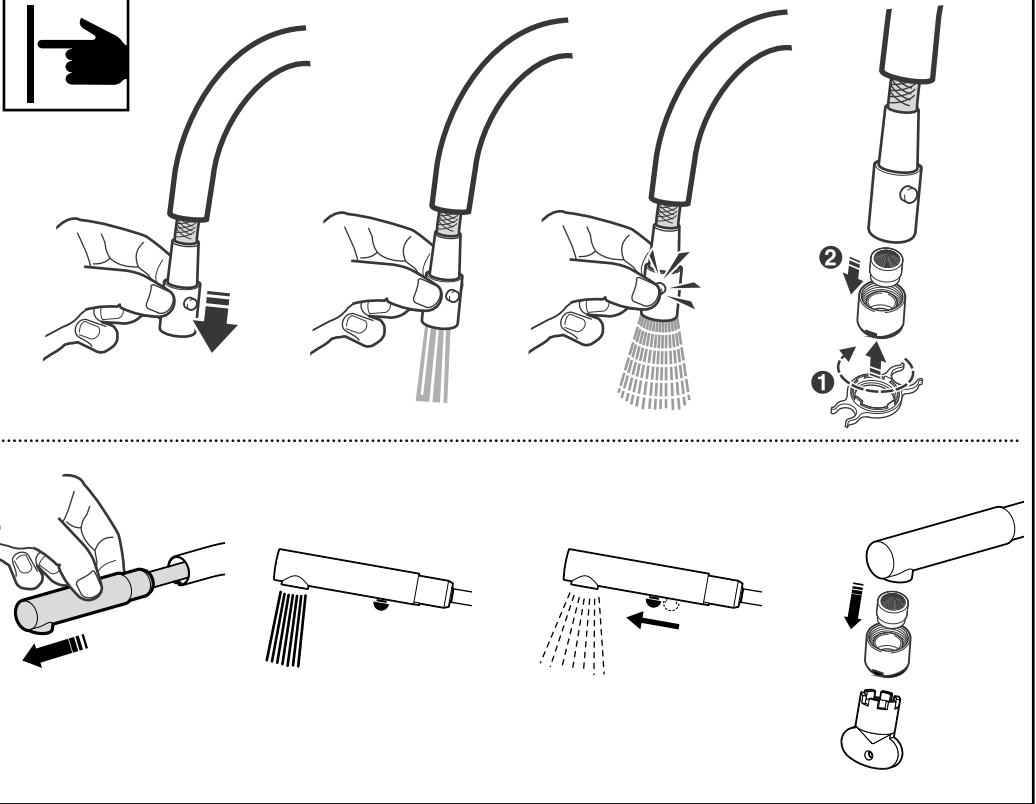
2



3



5



1 - AG02332..R

2 - AG02333..R

3 - AG0233400R

4 - AG0213400R

5 - AG02335..R

6 - AG0233600R

7 - AG0155200R

8 - AG0233700R

9 - AG0031803R

10 - AG0008009R (3/8")

AG0223800R (1/2")

11 - AG02338..R

12 - AG01555..R

13 - AG02339..R

14 - AG02145..R

15 - AG0214000R

16 - AG0213700R

17 - AG00038..R

18 - AG02340..R

19 - AG0224300R

CÓDIGO / CODE

0000000 0

ACABADO / FINISH



www.roca.net

