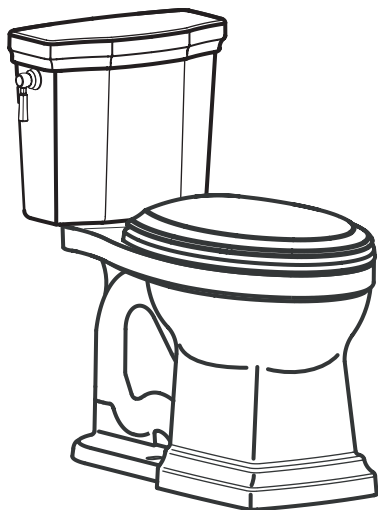


**CST243**  
**CST244**  
**CST404**  
**CST423**  
**CST424**  
**CST453**  
**CST454**

**CST494**  
**CST743**  
**CST744**  
**CST754**  
**CST784**



- \* Actual parts may appear different from drawing according to the model.
- \* El producto real puede variar en apariencia dependiendo del modelo.
- \* Le produit réel peut varier en apparence en fonction du modèle.

Warranty Registration and Inquiry

For product warranty registration, TOTO U.S.A. Inc. recommends online warranty registration. Please visit our web site <http://www.totousa.com>. If you have questions regarding warranty policy or coverage, please contact TOTO U.S.A. Inc., Customer Service Department, 1155 Southern Road, Morrow, GA 30260 (888) 295-8134 or (678) 466-1300 when calling from outside of U.S.A.

## TABLE OF CONTENTS

Thanks for Choosing TOTO®! .....	2
Common Tools Needed .....	2
Included Parts .....	2
Before Installation.....	3
Installation Procedure .....	3
Care and Cleaning.....	5
Maintenance Instructions.....	6
CEFIONTECT® Cleaning Instructions.....	9
Warranty .....	10
Rough-In Dimensions .....	30
Replacement Parts.....	31

## THANKS FOR CHOOSING TOTO!

The mission of TOTO is to provide the world with healthy, hygienic and more comfortable lifestyles. We design every product with the balance of form and function as a guiding principle. Congratulations on your choice.

## COMMON TOOLS NEEDED

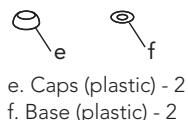
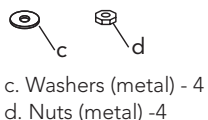
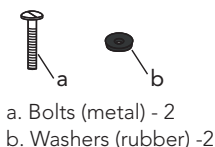
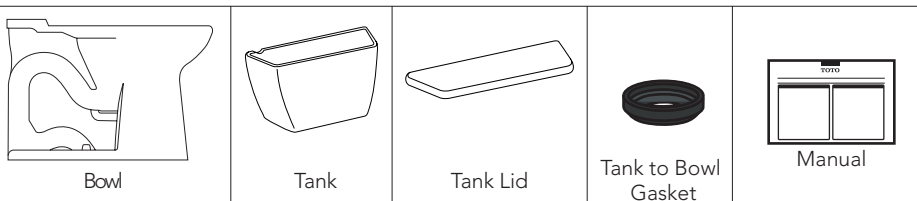
- |                         |                        |
|-------------------------|------------------------|
| • 10" adjustable wrench | • Hand Pliers          |
| • Carpenter's Level     | • Flat Screwdriver     |
| • Hacksaw               | • Phillips Screwdriver |
| • Tape Measure          | • Putty Knife          |

### MATERIALS REQUIRED (NOT INCLUDED):

- Bowl Wax Ring
- Closet Flange Mounting Bolts  
(usually 2 T-bolts, 2 metal washers and 2 nuts)
- Water Supply Line  
(typically 1/2" compression to 7/8" ballcock)
- Toilet Seat (TOTO SoftClose recommended)

## INCLUDED PARTS

Check to make sure you have all these parts from the package:

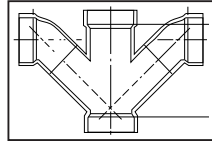


## BEFORE INSTALLATION

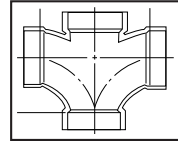
- Read these instructions thoroughly before beginning work.
- Please leave instructions for customers. These instruction contain maintenance and warranty information.
- If necessary, remove the existing toilet and if new construction, purge the supply line.

### IMPORTANT!

Due to the powerful performance of our Cyclone, G-Max, E-Max and Power Gravity flushing systems, they are not specified for back-to-back installations. The only means of installing these toilets in a back-to-back situation is when the toilet drain connections incorporate a WYE fitting. Please contact your builder or contractor prior to this installation.



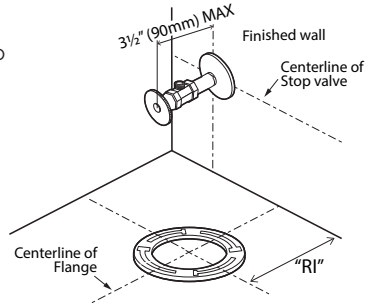
Double Combination WYE / 1/8 Bend  
**YES**



Double Sanitary Tee / Sanitary Cross  
**NO**

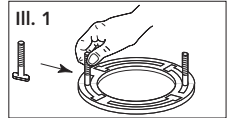
For your new TOTO toilet to fit correctly, the rough-in, the distance between the finished wall to the center of the closet flange, must be at least 12 inches for most models.

**NOTE:** Models with 10" or 14" rough-in have model numbers ending with ".10" or ".14", for example C744EF.10 or C744EF.14. Straight stop type valve, or valve with supply connection on front of angle stop, is not recommended.

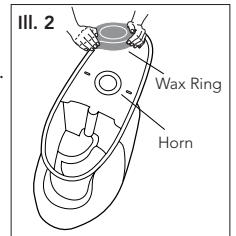


## INSTALLATION PROCEDURE

1) Clean any debris out of the closet flange and then install new mounting bolts (not supplied) into the slots of the closet flange (see Illustration 1). The head of the bolt should be inserted into the slot with its threads facing upward.

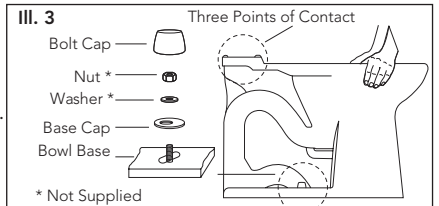


2) Carefully turn the toilet upside down onto some padding. Firmly press a new bowl wax ring (not supplied) onto the circular recess around the toilet bowl's horn (see Illustration 2).



3) Turn the toilet upright and gently lower into position over the closet flange. With toilet properly aligned, press firmly on both sides of toilet rim to set the bowl wax ring (see Illustration 3).

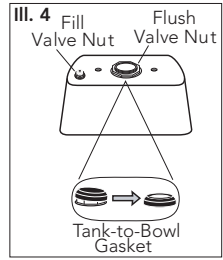
**CAUTION:** Do not move the bowl after the bowl wax ring is set. Thread the nuts and tighten evenly until bowl is snug to closet flange. Install the bolt caps (see Illustration 3).



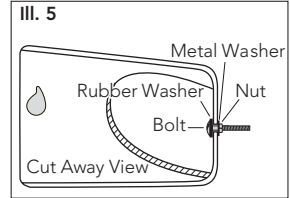
**CAUTION:** Do not over-tighten the nuts as damage to the china bowl may result.

## INSTALLATION PROCEDURE

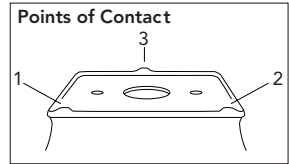
4) Place the tank upside down onto some padding. Inspect the smaller fill valve nut and larger flush valve nut for a secure connection (see Illustration 4). Try to tighten the nuts with your hands. If loose, tighten the nut hand tight and an additional 1/4 turn for the smaller fill valve nut and an additional 1/2 turn for the larger flush valve nut.



5) Place the tank-to-bowl gasket onto the flush valve nut. While pressing down, spread the gasket over the nut until the gasket touches the bottom of the tank. A slight gap between the tank bottom and the gasket is allowable.

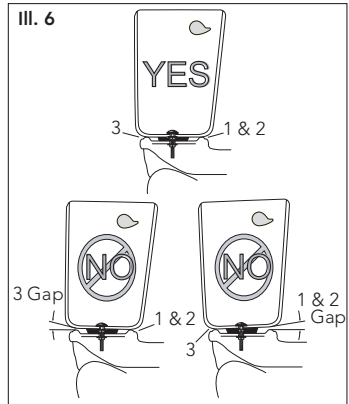


6) Lay the tank down on its back. Place a rubber washer onto a brass bolt (see Illustration 5). Reach inside the tank and position the bolt through one of the holes in the bottom of the tank. On the outside of the tank, place a metal washer and nut onto the bolt. Hold the bolt centered in the hole and tighten the nut finger tight. Turn the nut an additional 1/2 turn with a wrench. Repeat this process for the remaining hole in the tank.



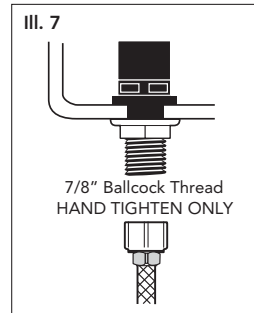
7) Pick up the tank and carefully guide the brass bolts to align the tank with the bowl.

8) Attach a metal washer and nut to each bolt. Tighten the nuts finger tight and inspect that the tank is level (see Illustration 6). Once level, tighten the bolts equally until the tank makes **THREE POINTS OF CONTACT** with the bowl.



9) Flush the water supply line for a few seconds to remove any debris that may enter the new fill valve. (For new home constructions and/or additions, flush the water supply line for more than a minute to help remove any residual PVC adhesives, solder flux, and/ or pipe sealants that were used for the new plumbing.)

10) Connect the water supply line to the fill valve threads as seen at the bottom of toilet tank (see Illustration 7). Tighten this connection finger tight.

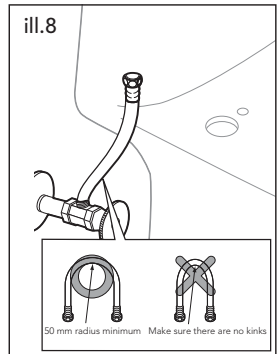


**CAUTION:** Avoid using a wrench to tighten the connection as you may damage the plastic threads and/or cause the fill valve to rotate inside the tank.

## INSTALLATION PROCEDURE

**NOTE:** The water supply pressure should be 20 to 80 psi static.

- 11) Install the flexible water supply hose to the angle stop (ill. 8). Make sure that the hose is free of kinks.
- 12) Flush toilet a few times to check for issues and leaks. Make sure **NO WATER LEAK** on bowl and tank.
- 13) Install the toilet tank lid onto the toilet tank top.
- 14) Install the toilet seat onto the toilet bowl using the mounting hardware in the toilet seat box (ill.9). Place seat onto bowl and rotate the hinge down. Position seat stoppers under the seat hinge. Insert bolt into seat hinge and through the toilet bowl. Install plastic nut onto bolt from underneath. Tighten the bolt securely. Install the seat bolt caps.



**NOTE:** Tighten the seat bolt until the hinge is secure. The seat and lid will have slight side to side movement, which is normal. This freedom of movement allows the seat to SoftClose® without binding.

## CARE & CLEANING

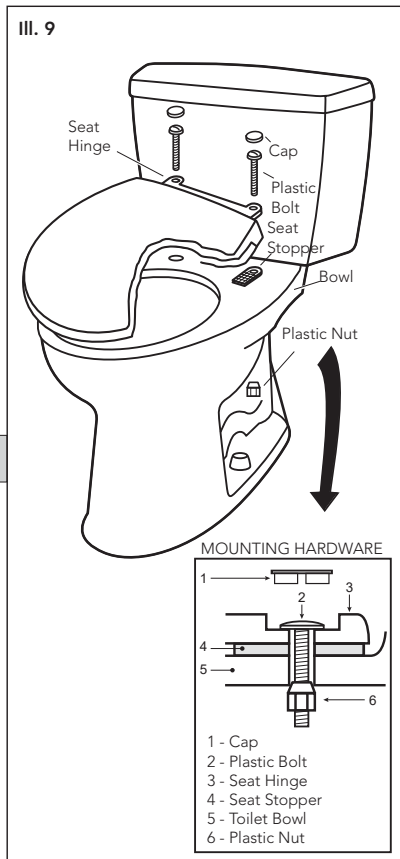
Use a detergent or non-abrasive toilet cleaner and a soft bristled plastic brush to clean your toilet. To remove hard water stains, use vinegar or lime dissolving cleaner and a non-scratch scour pad made for porcelain. Allow a little contact time to allow the cleaner to dissolve the buildup.



### NOTICE

#### DO NOT USE IN-TANK BOWL CLEANERS.

The use of high concentration of chlorine or chlorine-related products can seriously damage fittings in the tank. This damage can cause leakage and property damage. TOTO shall not be responsible or liable for any tank fitting failure or damage caused by the use of in-tank bowl cleaners.



## MAINTENANCE INSTRUCTIONS

### Replacing The Fill Valve

- 1) Shut off the water supply to the toilet.
- 2) Flush toilet and remove remaining water from tank with a sponge.
- 3) Remove the water supply connection at the fill valve.
- 4) Remove old fill valve (note orientation) and use damp sponge to clean hole in tank.
- 5) Place new fill valve inside tank hole. (recall orientation)
- 6) Thread mounting nut onto fill valve shank and tighten the nut.

**NOTE:** Do not over-tighten. Be sure to install fill valve in a position that does not interfere with the trip lever operation.

- 7) Connect water supply to fill valve shank and hand-tighten only.

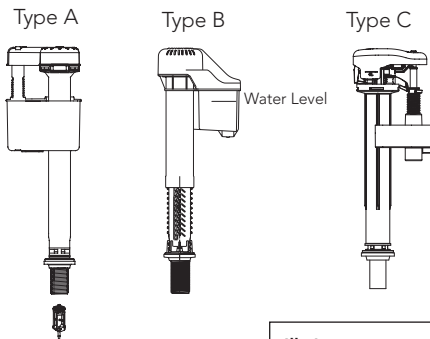
**NOTE:** Do not over-tighten. These are plastic parts. Never use pipe dope on any water supply connection.

- 8) Attach refill tube to fill valve nipple and clip other end of refill tube to the overflow pipe.
- 9) Turn water supply ON and check for leaks outside the tank.

**NOTE:** As water fills the tank, water is also directed into the overflow tube via the refill tube. This additional flow of water is critical to refilling your toilet's bowl. Once the water stops filling the tank, some residual drops of water may drip from the fill valve. This is **NORMAL** as these drops will subside.

### Water Level Adjustment

Depending on the manufacturing plant, you may have one of two of the following fill valves:

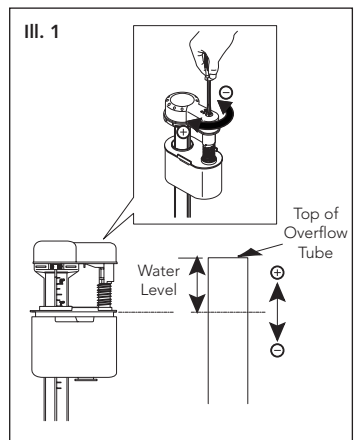


#### For Type A and C Fill Valve:

Refer to the water level (WL) setting marked on the inner wall of the tank. Allow the water to fill the tank. Turn the adjustment screw clockwise in the (+) direction to increase the water level height (see Illustration 1). Turn the adjustment screw counter-clockwise in the (-) direction to decrease the water level height. Flush the toilet to verify the correct water level. Adjust as necessary.

#### For Type B Fill Valve:

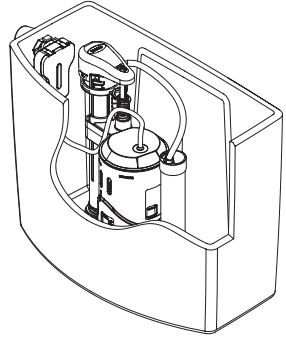
There are no water level adjustments. The fill valve has been preset at the factory.



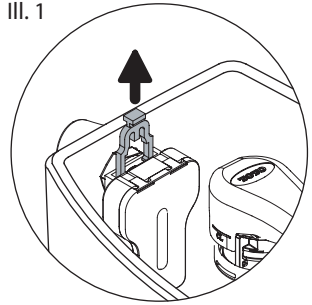
# MAINTENANCE INSTRUCTIONS

## Replacing the Flush Valve (ST453U and ST403U Model Tanks)

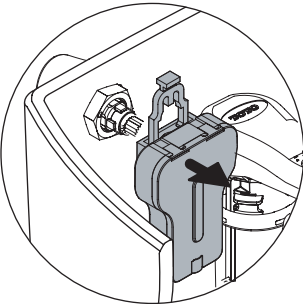
- 1) Turn off water supply and flush the toilet.
- 2) Remove the tank lid and place it upside down on a clean surface. Remove the remaining water from tank with a sponge.
- 3) Pull the clip on top of trip lever gear box as shown.
- 4) Pull gear box away and set on the side as shown. (see ill. 1 & ill. 2)
- 5) Rotate and pull up on the flush tower to remove it. (see ill. 3)
- 6) Remove the grey rubber seal gasket and rinse under running water to clean. (see ill. 4)
- 7) Place the gasket back on the flush tower.
- 8) Align and place the flush tower into housing and gently press to snap and to lock into place.
- 9) Replace the trip lever gear box and push down on lever to lock it in place.
- 10) Check the water level in the tank and inspect for signs of any leakage.
- 11) Flush the toilet several times making sure the trip lever operates normally.
- 12) Carefully install the tank lid back on the tank.



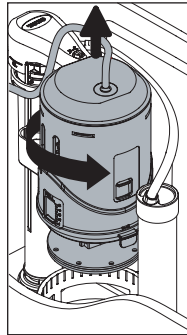
III. 1



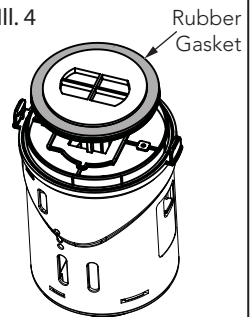
III. 2



III. 3



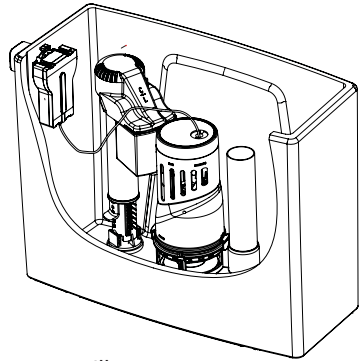
III. 4



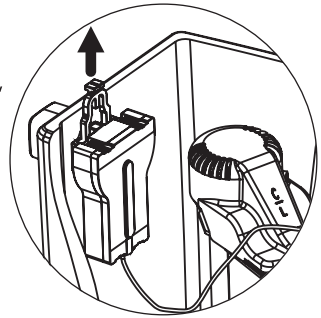
## MAINTENANCE INSTRUCTIONS

### Replacing the Flush Valve ST494M (CST494CEMFG)

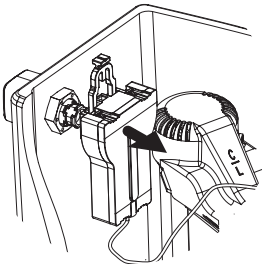
- 1) Shut off the water supply to the toilet.
- 2) Flush and remove residual water from the tank with a sponge.
- 3) Pull the bar on the top of the gear box of the trip lever as shown.
- 4) Remove the gearbox and set aside, as shown. (see Fig. 1 and Fig. 2)
- 5) Turn the flush column and reassemble it to remove it. (see Fig. 3)
- 6) Remove the rubber gasket and rinse under running water to clean. (see III.4)
- 7) Replace the gasket on the flush column.
- 8) Align the flush column and place it in the housing, then lightly press down to lock and lock in place.
- 9) Replace the gearbox of the trigger lever and press the tab to lock it in place.
- 10) Check the water level in the tank and check for signs of leakage.
- 11) Flush the toilet several times to make sure the release lever is working normally.
- 12) Pull the release lever forward for full flush and backward for light flush.
- 13) Carefully rest the tank lid on the tank.



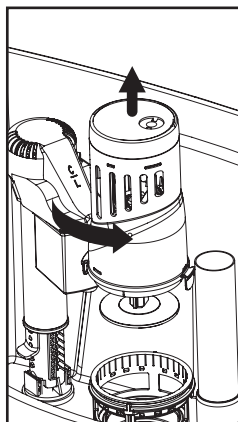
III. 1



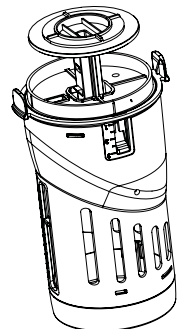
III. 2



III. 3



III. 4



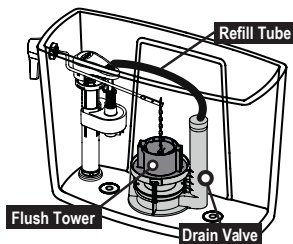


## MAINTENANCE INSTRUCTIONS

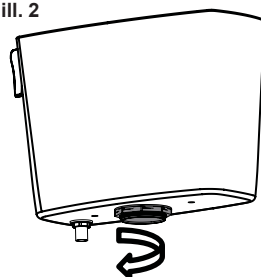
### Replacing the Drain Valve

- 1) Shut off the water supply.
- 2) Flush the toilet to remove the water inside the tank.
- 3) Remove the tank lid and place somewhere safe.  
**NOTE:** Before removing anything from the tank, note the placement of the drain valve, chain and refill tube.
- 4) Unhook the refill tube from the overflow tube of the drain valve.
- 5) Unhook the chain from the trip lever.
- 6) Uninstall the tank (refer to the toilet installation manual).
- 7) Remove the drain valve body from the tank.
- 8) Replace the drain valve in the same position as the former drain valve.
- 9) Hand tighten the mounting nut of the drain valve and use a wrench to tighten another 3/4 turn.
- 10) Reinstall the tank onto the bowl and place the chain and refill tube the same way as it was for the former drain valve.
- 11) Turn the water supply back.
- 12) Check for leakage after the tank has been filled.

ill. 1



ill. 2



## CEFIONTECT® CLEANING INSTRUCTIONS



### WHAT IS CEFIONTECT®?

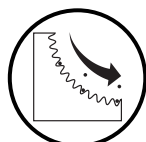
CEFIONTECT® is TOTO's super-smooth permanent glaze that prevents debris from sticking to surfaces. Products with the letter "G" in the number have the CEFIONTECT® glaze. This glaze, along with regular cleaning, will help keep your TOTO product in pristine condition.

#### NOTE:

For best results to keep your Toto product with CEFIONTECT® clean:

- Lavatory: Use a mild dish detergent with a clean, soft cloth.
- Toilet: Use a gel based cleaner with a soft bristled-plastic brush.
- **Don't use** cleaners, polishing powders or detergents that have gritty or coarse particles.
- **Don't use** bleach, chemical thinners or products that have acid or alkaline detergents listed as ingredients.
- **Don't use** metal scrub brushes or steel wool.

Following these instructions will ensure that your TOTO product with the CEFIONTECT® glaze will always stay intact, keeping your product like new for years to come!



No CEFIONTECT®



With CEFIONTECT®



## WARRANTY

1. TOTO warrants its vitreous china products ("Product") to be free from defects in materials and workmanship during normal use when properly installed and serviced, for a period of one (1) year from date of purchase. This limited warranty is extended only to the ORIGINAL PURCHASER of the Product and is not transferable to any third party, including but not limited to any subsequent purchaser or owner of the Product. This warranty applies only to TOTO Product purchased and installed in North, Central and South America.
2. TOTO's obligations under this warranty are limited to repair, replacement or other appropriate adjustment, at TOTO's option, of the Product or parts found to be defective in normal use, provided that such Product was properly installed, used and serviced in accordance with instructions. TOTO reserves the right to make such inspections as may be necessary in order to determine the cause of the defect. TOTO will not charge for labor or parts in connection with warranty repairs or replacements. TOTO is not responsible for the cost of removal, return and/or reinstallation of the Product.
3. This warranty does not apply to the following items:
  - a. Damage or loss sustained in a natural calamity such as fire, earthquake, flood, thunder, electrical storm, etc.
  - b. Damage or loss resulting from any accident, unreasonable use, misuse, abuse, negligence, or improper care, cleaning, or maintenance of the Product.
  - c. Damage or loss resulting from sediments or foreign matter contained in a water system.
  - d. Damage or loss resulting from improper installation or from installation of the Product in a harsh and/or hazardous environment, or improper removal, repair or modification of the Product. (NOTE: Product model codes allow a maximum of 80 PSI. Check local codes or standards for requirements).
  - e. Damage or loss resulting from electrical surges or lightning strikes or other acts which are not the fault of TOTO or which the Product is not specified to tolerate.
  - f. Damage or loss resulting from normal and customary wear and tear, such as gloss reduction, scratching or fading over time due to use, cleaning practices or water or atmospheric conditions.
  - g. Tank flushing mechanisms of plastic or rubber moving parts.
  - h. Toilet seats of plastic, wood or metal.
4. In order for this limited warranty to be valid, proof of purchase is required. TOTO encourages warranty registration upon purchase to create a record of Product ownership at <http://www.totousa.com>. Product registration is completely voluntary and failure to register will not diminish your limited warranty rights.
5. THIS WARRANTY GIVES YOU SPECIFIC LEGAL RIGHTS. YOU MAY HAVE OTHER RIGHTS WHICH VARY FROM STATE TO STATE, PROVINCE TO PROVINCE OR COUNTRY TO COUNTRY.
6. To obtain warranty repair service under this warranty, you must take the Product or deliver it prepaid to a TOTO service facility together with proof of purchase (original sales receipt) and a letter stating the problem, or contact a TOTO distributor or products service contractor, or write directly to TOTO U.S.A., INC., 1155 Southern Road, Morrow, GA 30260 (678) 466-1300 or (888) 295-8134, if outside the U.S.A. If, because of the size of the Product or nature of the defect, the Product cannot be returned to TOTO, receipt by TOTO of written notice of the defect together with proof of purchase (original sales receipt) shall constitute delivery. In such case, TOTO may choose to repair the Product at the purchaser's location or pay to transport the Product to a service facility.

**WARNING!** TOTO shall not be responsible or liable for any failure of, or damage to, this Product caused by either chloramines in the treatment of public water supply or cleaners containing chlorine (calcium hypochlorite). NOTE: The use of a high concentrate chlorine or chlorine related products can seriously damage the fittings. This damage can cause leakage and serious property damage. For more information please call (888) 295-8134.

THIS WRITTEN WARRANTY IS THE ONLY WARRANTY MADE BY TOTO. REPAIR, REPLACEMENT OR OTHER APPROPRIATE ADJUSTMENT AS PROVIDED UNDER THIS WARRANTY SHALL BE THE EXCLUSIVE REMEDY AVAILABLE TO THE ORIGINAL PURCHASER. TOTO SHALL NOT BE RESPONSIBLE FOR LOSS OF THE PRODUCT OR FOR OTHER INCIDENTAL, SPECIAL OR CONSEQUENTIAL DAMAGES OR EXPENSES INCURRED BY THE ORIGINAL PURCHASER, OR FOR LABOR OR OTHER COSTS DUE TO INSTALLATION OR REMOVAL, OR COSTS OF REPAIRS BY OTHERS, OR FOR ANY OTHER EXPENSE NOT SPECIFICALLY STATED ABOVE. IN NO EVENT WILL TOTO'S RESPONSIBILITY EXCEED THE PURCHASE PRICE OF THE PRODUCT. EXCEPT TO THE EXTENT PROHIBITED BY APPLICABLE LAW, ANY IMPLIED WARRANTIES, INCLUDING THAT OF MERCHANTABILITY OR FITNESS FOR USE OR FOR A PARTICULAR PURPOSE, ARE EXPRESSLY DISCLAIMED. SOME STATES DO NOT ALLOW LIMITATIONS ON HOW LONG AN IMPLIED WARRANTY LASTS, OR THE EXCLUSION OR LIMITATION OF INCIDENTAL OR CONSEQUENTIAL DAMAGES, SO THE ABOVE LIMITATION AND EXCLUSION MAY NOT APPLY TO YOU.

# ÍNDICE

¡Gracias por elegir TOTO®!	11
Herramientas que necesita	11
Partes incluidas	11
Antes de la instalación	12
Procedimiento de instalación	12
Cuidado y limpieza	14
Instrucciones de mantenimiento	15
Instrucciones de limpieza CEFIONTECT®	18
Garantía	19
Bosquejo	30
Refacciones	31

## ¡GRACIAS POR ELEGIR TOTO!

La misión de TOTO es dar al mundo estilos de vida más saludables, higiénicos y cómodos. Diseñamos cada producto guiándonos por el principio del equilibrio entre forma y función. Felicitaciones por su elección.

## HERRAMIENTAS QUE NECESITA

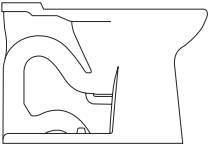
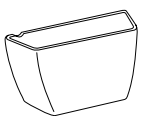


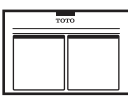
- |                                  |                                  |
|----------------------------------|----------------------------------|
| ● Llave Ajustable de 10 Pulgadas | ● Pinzas Manuales                |
| ● Nivel de Carpintero            | ● Destornillador de Cabeza Plana |
| ● Sierra Para Metales            | ● Espátula                       |
| ● Cinta Para Medir               |                                  |

### MATERIALES ADICIONALES (NO SUMINISTRADOS POR TOTO):







- Sello/Anillo de Cera
- Pernos de Montaje pra la Brida del Suelo  
(Generalmente 2 pernos en T, 2 rondanas, y 2 tuercas)
- Línea Abastecedora de Agua  
(Generalmente compresión de 1/2" hasta flotador de 7/8")
- Silla del inodoro (Se recomienda silla TOTO SoftClose)

## PARTES INCLUIDAS

Asegúrese de que tiene todas las piezas del empaque:

				
Inodoro	Tanque	Tapa del Tanque	Empaquetadura Para Tanque Recipiente	Manual

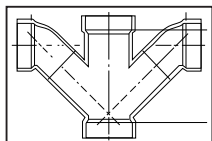
					
a. Pernos (metálicos) - 2	b. Rondanas (goma) - 2	c. Rondanas (metálicos) - 4	d. Tuercas (metálicas) - 4	e. Caps (plastic) - 2	f. Base (plastic) - 2

## ANTES DE LA INSTALACIÓN

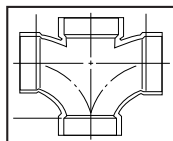
- Lea estas instrucciones detenidamente antes de comenzar a trabajar.
- Proporcione las instrucciones a los clientes. Estas instrucciones contienen información sobre el mantenimiento y la garantía.
- Si es necesario, quite el inodoro existente.

### ¡IMPORTANTE!

Debido a la potente rendimiento de nuestro Ciclón, G-Max, S-Max y la gravedad de alimentación de agua corriente, no se precisan para las instalaciones de "back-to-back". La única forma de instalar estos baños en una situación de "back-to-back" es cuando las conexiones del desagüe WC incorporar un accesorio estrella. Por favor, póngase en contacto con su constructor o contratista antes de esta instalación.



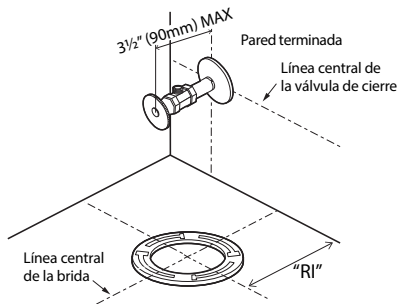
Doble Combinación WYE / 1/8 Curva  
**SÍ**



Doble Sanitarias T / Sanitarias Cruz  
**NO**

Con el fin que su nuevo inodoro TOTO se adapte correctamente, la distancia entre fontanería gruesa desde la pared hasta el centro de la brida del suelo, debe ser al menos 12 pulgadas para la mayoría de los modelos.

NOTA: Modelos con la fontanería gruesa de 10" o 14" pulgadas tienen números de modelo que terminan en ".10" o ".14", por ejemplo C744EF.10. o C744EF.14.

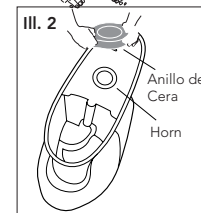
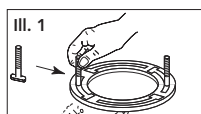


## PROCEDIMIENTO DE INSTALACIÓN

- 1) Limpie la suciedad de la brida del suelo, luego instale los nuevos pernos de montaje (no suministrados) en las ranuras de la brida del suelo (ver Ilustración 1). La cabeza del perno debe insertarse en la ranura con el vástago roscado apuntando hacia arriba.
- 2) Dé vuelta al inodoro con mucho cuidado de modo que quede mirando hacia abajo sobre un acolchonado. Presione firmemente un nuevo anillo de cera de recipiente (no suministrado) sobre el encastre circular alrededor de la apertura de salida (ver Ilustración 2).
- 3) Levante el inodoro en dirección vertical y suavemente bájelo hasta colocarlo sobre la brida del suelo. Con el inodoro debidamente alineado, presione firmemente a ambos lados el borde del inodoro para fijar el anillo de cera del recipiente (ver Ilustración 3).

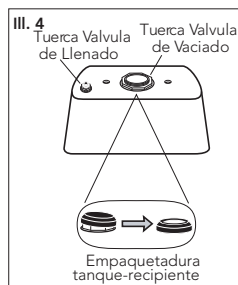
**PRECAUCIÓN:** No mueva el recipiente una vez haya fijado el anillo de cera. Enrosque las tuercas y apriételas igualmente hasta que el inodoro quede ajustado a la brida del suelo. Instale las tapas de los pernos. (ver Ilustración 3).

**PRECAUCIÓN:** No apriete demasiado las tuercas, ya que podría ocasionar daños en la taza cerámica.

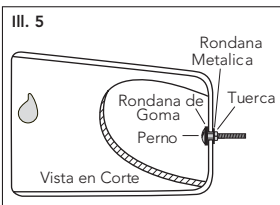


## PROCEDIMIENTO DE INSTALACIÓN

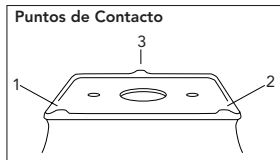
4) Dé vuelta al inodoro de modo que quede mirando hacia abajo sobre algún acolchonado. Inspeccione la tuerca pequeña de la válvula de llenado y la tuerca grande de la válvula de vaciado para garantizar la conexión (ver Il. 4). Trate de apretar las tuercas con su mano. Si aún siguen holgadas, apriételas manual mente y dé 1/4 de vuelta adicional a la tuerca pequeña de la válvula de llenado y 1/2 vuelta a la tuerca grande de la válvula de vaciado.



5) Coloque el empaque del tanque-recipiente sobre la tuerca de la válvula de vaciado. Mientras presiona hacia abajo, despliegue la empaquetadura sobre la tuerca hasta que esta toque el fondo del tanque. Un pequeño espacio entre el fondo del tanque y la empaquetadura está permitido.

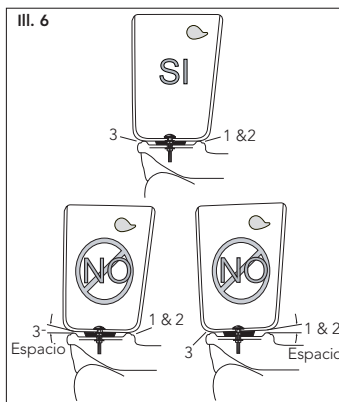


6) Acueste el tanque sobre su parte trasera. Coloque una rondana de goma en el perno metálico (ver Ilustración 5). Extienda su mano dentro del tanque y coloque el perno a través de uno de los orificios del fondo del tanque. En la parte exterior del tanque, coloque una rondana metálica y una tuerca en el perno. Mantenga el perno centrado en el orificio y apriete la tuerca con sus dedos. Dé 1/2 vuelta adicional a la tuerca con la llave para tubería. Repita este proceso para el otro orificio del tanque.



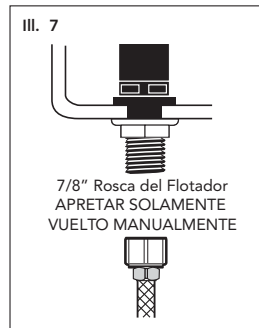
7) Levante el tanque y cuidadosamente guíe los pernos metálicos para alinear el tanque con el recipiente.

8) Fije una rondana metálica y una tuerca a cada perno. Apriete las tuercas con sus dedos e inspeccione que el tanque haya quedado nivelado. Una vez nivelado, apriete los pernos igualmente hasta que el tanque haga TRES PUNTOS DE CONTACTO con el recipiente.



9) Descargue la línea de suministro de agua por algunos segundos para remover cualquier suciedad que haya entrado a la nueva válvula de llenado. (Para construcciones nuevas y/o adiciones, descargue la línea de suministro de agua por más de 1 minuto para ayudar a remover cualquier residuo de adhesivo de PVC, soldadura plástica, y/o sellantes de tubería que fueron usados para la nueva tubería).

10) Conecte la línea de suministro de agua a la rosca de la válvula de llenado como se ve en la parte de abajo del tanque del inodoro (ver Ilustración 7). Apriete esta conexión con sus dedos. Descargue el inodoro varias veces para verificar si hay problemas y fugas. Asegúrese de que no haya fugas de agua ni en el tazón ni en el tanque.

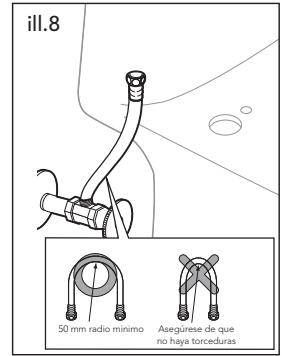


**PRECAUCIÓN:** Evite usar una llave para tubería al apretar la tubería ya que esto podría dañar las roscas plásticas y/o causar que la válvula de llenado rote dentro del tanque.

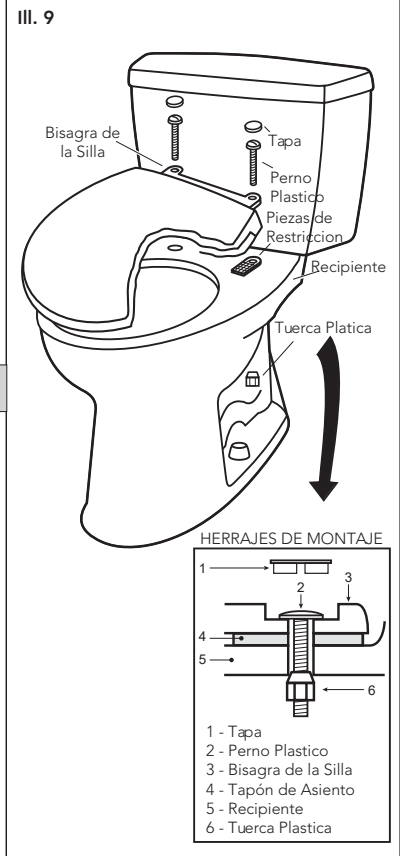
## PROCEDIMIENTO DE INSTALACIÓN

**NOTA:** La presión de la línea de suministro de agua debe ser de 20 a 80 psi estática.

- 11) Instale la manguera flexible de suministro de agua en el tope angular (ilus. 8) Asegúrese de que la manguera no tenga torceduras.
- 12) Instale la tapa del tanque en el inodoro.
- 13) Descargue el inodoro varias veces para verificar si hay problemas y fugas. Asegúrese de que **NO HAY FUGAS DE AGUA** en el tazón y el tanque.
- 14) Instale el asiento del inodoro sobre el recipiente, usando los herrajes de montaje de la caja del asiento del inodoro (ilus. 9). Coloque la silla sobre el recipiente y rote la bisagra hacia abajo. Posicione las piezas de restricción de la silla debajo de las bisagras de la silla. Introduzca el perno dentro de la bisagra de la silla y a través del recipiente del inodoro. Instale la tuerca plástica en el perno desde la parte de abajo. Apriete los pernos asegurándolos. Instale las tapas.



**NOTA:** Apriete los pernos de la silla hasta que la bisagra esté asegurada. La silla y la tapa tendrán pequeños movimientos de lado a lado, esto es normal. Esta libertad de movimiento permite que la silla SoftClose® cierre sin que se golpee.



## CUIDADO Y LIMPIEZA

Utilice un detergente o un limpiador de inodoro no abrasivo y un cepillo de plástico de cerdas suaves para limpiar el inodoro. Para eliminar manchas de agua dura, utilice un limpiador de disolución de vinagre o lima y una almohadilla abrasiva que no deje arañazos hecha para porcelana. Deje que pase un poco de tiempo de contacto para permitir que el limpiador disuelva la acumulación.

## AVISO

**NO UTILICE LIMPIADORES DE TAZAS QUE VAN DENTRO DEL DEPÓSITO.**



El uso de productos clorados o con alta concentración de cloro puede dañar gravemente los accesorios en el depósito. Estos daños pueden causar fugas y daños a la propiedad. TOTO no será responsable de ningún fallo o daño de la conexión del depósito causado por el uso de limpiadores de tazas que van dentro del depósito.

# INSTRUCCIONES DE MANTENIMIENTO

## Procedimiento de reemplazo

- 1) Cierre el suministro de agua al excusado.
  - 2) Tire la cadena y retire el agua restante del tanque con una esponja.
  - 3) Quite la conexión del suministro de agua de la válvula de llenado.
  - 4) Quite la válvula de llenado anterior y utilice la esponja húmeda para limpiar el orificio del tanque.
  - 5) Coloque la válvula de llenado nueva en el orificio del tanque.
  - 6) Enrosque la tuerca de montaje en el vástago de la válvula de llenado y ajuste la tuerca.
- NOTA:** No ajuste demasiado. Asegúrese de instalar la válvula de llenado en una posición que no interfiera con el funcionamiento de la palanca de descarga.
- 7) Conecte el suministro de agua al vástago de la válvula de llenado y sólo ajústelo manualmente.

**NOTA:** No ajuste demasiado. Éstas son piezas plásticas. No utilice lubricante en ninguna conexión de suministro de agua.

- 8) Conecte el tubo de relleno al niple de la válvula y sujete el otro extremo del tubo de relleno al tubo de desagüe.

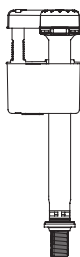
- 9) Abra el suministro de agua y verifique que no haya pérdida de agua fuera del tanque.

**NOTA:** A medida que el agua llene el tanque, también será derivada al tubo de desagüe a través del tubo de relleno. Este flujo de agua adicional es fundamental para rellenar el recipiente del excusado. Una vez que el tanque está lleno y el suministro de agua se interrumpe, es probable que caigan algunas gotas de agua residual de la válvula de llenado. Esto es NORMAL y las gotas dejarán de caer.

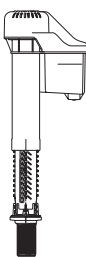
## Ajuste del nivel del agua

Dependiendo de la planta de fabricación, usted debe tener una o ambas de las siguientes válvulas de llenado:

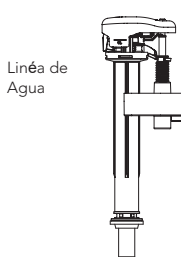
Tipo A



Tipo B



Tipo C



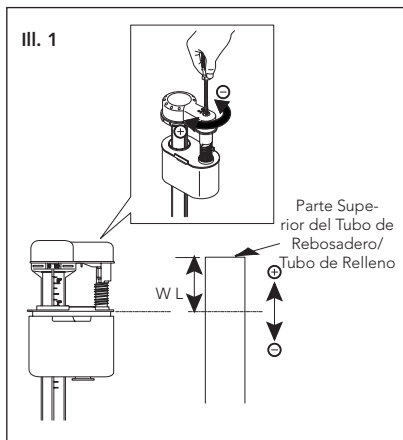
Linéa de Agua

### Para válvulas de llenado tipo A y C:

Refere a la marca para el nivel de agua (WL) en la pared interior del tanque. Permita que el agua llene el tanque. Gire el tornillo de ajuste en el sentido de las agujas del reloj en la dirección (+) para aumentar la altura del nivel del agua. (ver Ilustración 1). Gire el tornillo en sentido contrario a las agujas del reloj en la dirección (-) para disminuir la altura del nivel del agua. Tire la cadena para verificar el nivel correcto del ajuste si es necesario.

### Para la válvula de llenado tipo B:

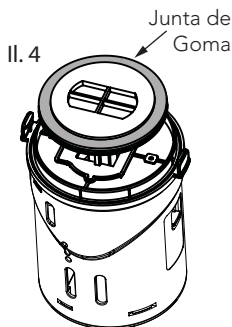
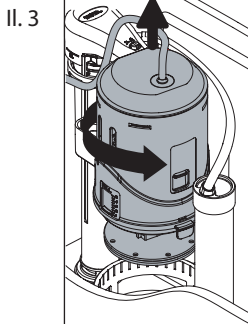
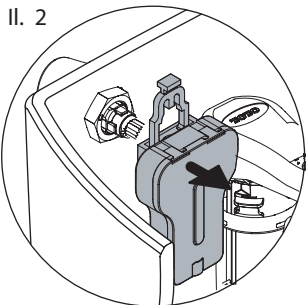
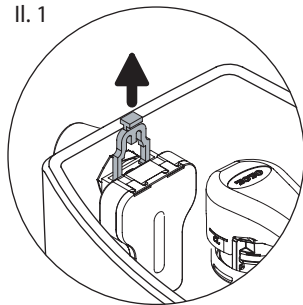
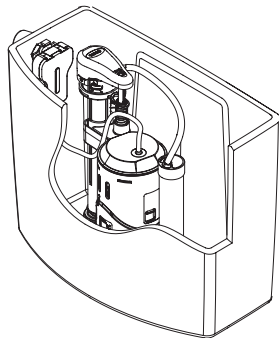
No hay ajustes de niveles de agua. La válvula de llenado se ha predeterminado de fábrica.



## INSTRUCCIONES DE MANTENIMIENTO

### Remplazo de válvula de llenado (Tanque del modelo ST453U y ST403U)

1. Cierre el suministro de agua y descargue el inodoro.
2. Quite la tapa del tanque y déjela invertida sobre una superficie limpia.
3. Levante la traba ubicada en la parte superior de la caja de cambios de la palanca de descarga como se muestra.
4. Retire la caja de cambios y deje a un lado como se muestra. (ver III. 1 y III. 2)
5. Rote y tire hacia arriba la torre de descarga para quitarla. (ver III.3)
6. Quite la junta de sello de goma gris y enjuáguela bajo el chorro de agua corriente para limpiarla. (ver III.4)
7. Coloque la junta nuevamente sobre la torre de descarga.
8. Alinee y coloque la torre de descarga sobre la base y presiónela suavemente para que entre y se asegure en su lugar. II. 1
9. Vuelva a colocar la caja de cambios de la palanca de descarga y presione la traba para que la caja quede asegurada en su lugar.
10. Controle que el nivel de agua del inodoro sea el adecuado y que no haya pérdidas.
11. Descargue el inodoro varias veces a fin de asegurarse de que la palanca de descarga funcione normalmente.
12. Coloque nuevamente la tapa con cuidado sobre el tanque de que la palanca de descargue funcione normalmente.

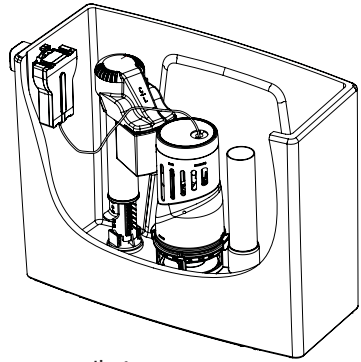




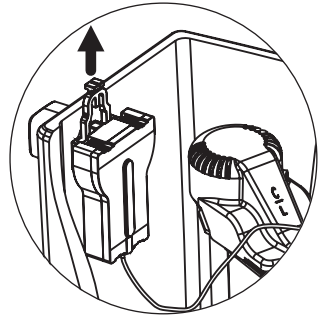
## INSTRUCCIONES DE MANTENIMIENTO

### Reemplazo de válvula de llenado ST494M (CST494CEMFG)

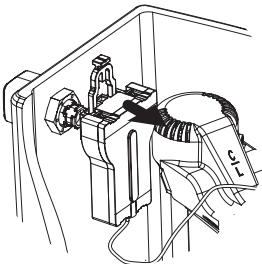
- 1) Cierre el suministro de agua al baño.
- 2) Enjuague y elimine el agua residual del tanque con una esponja.
- 3) Tire de la barra en la parte superior de la caja de engranajes de la palanca de disparo como se muestra.
- 4) Retire la caja de cambios y póngala a un lado, como se muestra. (ver Fig. 1 y Fig. 2)
- 5) Turn the flush column and reassemble it to remove it. (see Fig. 3)
- 6) Retire la junta de goma y enjuague con agua corriente para limpiar. (ver III.4)
- 7) Vuelva a colocar la junta en la columna de descarga.
- 8) Alinee la columna de descarga y colóquela en la carcasa, luego presione ligeramente hacia abajo para bloquear y bloquear en su lugar.
- 9) Vuelva a colocar la caja de cambios de la palanca del gatillo y presione la pestaña para bloquearla en su lugar.
- 10) Verifique el nivel de agua en el tanque y verifique si hay signos de fuga.
- 11) Descargue el inodoro varias veces para asegurarse de que la palanca de liberación funcione normalmente.
- 12) Tire de la palanca de liberación hacia adelante para una descarga completa y hacia atrás para una descarga ligera.
- 13) Descanse cuidadosamente la tapa del tanque sobre el tanque.



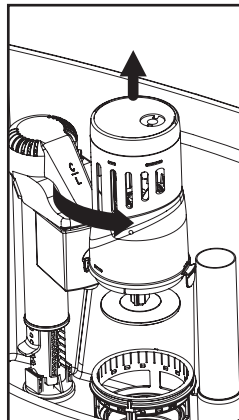
II. 1



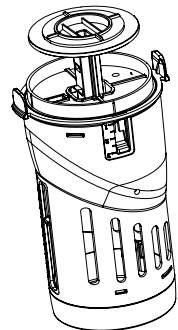
II. 2



II. 3



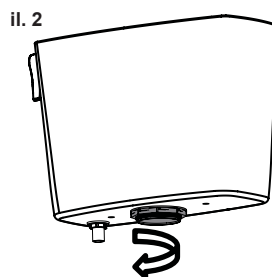
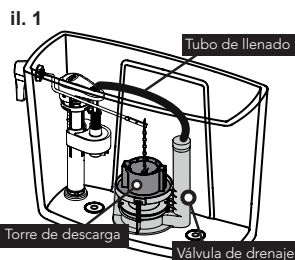
II. 4



## INSTRUCCIONES DE MANTENIMIENTO

### Remplazo de válvula de descarga

- 1) Cierre el suministro de agua.
- 2) Descargue el inodoro para eliminar el agua del tanque.
- 3) Retire la tapa del tanque y colóquela en un lugar seguro.  
**NOTA:** Antes de retirar nada del tanque, tenga en cuenta la ubicación de la válvula de drenaje, de la cadena y del tubo de llenado.
- 4) Desenganche el tubo de llenado del tubo de desbordamiento de la válvula de drenaje.
- 5) Desenganche la cadena de la palanca de activación.
- 6) Desinstale el tanque (consulte el manual de instalación del inodoro).
- 7) Retire el cuerpo de la válvula de drenaje del tanque.
- 8) Sustituya la válvula de drenaje colocándola en la misma posición que la válvula de drenaje anterior.
- 9) Ajuste a mano la tuerca de montaje de la válvula de drenaje y use una llave para ajustar otro 3/4 de vuelta.
- 10) Vuelva a instalar el tanque sobre la taza.
- 11) Enganche la cadena y el tubo de llenado de nuevo en sus ubicaciones originales.
- 12) Abra el suministro de agua y, cuando el tanque esté lleno, compruebe si hay fugas.



## INSTRUCCIONES DE LIMPIEZA PARA CEFIONTECT®



### ¿QUÉ ES CEFIONTECT®?

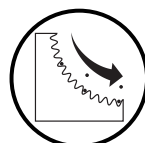
CEFIONTECT® es el esmalte permanente súper suave de TOTO que evita que los desechos se peguen a las superficies. Los productos con la letra "G" en el número tienen el esmalte CEFIONTECT®. Este esmalte, junto con una limpieza regular, ayudará a mantener su producto TOTO en perfectas condiciones.

#### NOTA:

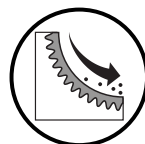
Para la limpieza regular de su producto TOTO con CEFIONTECT®:

- Lavabo: Use detergente para platos y un paño suave.
- Inodoro: Use limpiador a base de gel y un cepillo plástico de cerdas suaves.
- **No use** limpiadores, polvos pulidores o detergentes que tengan partículas arenosas o gruesas.
- **No use** lejía, diluyentes químicos o productos que incluyan detergentes ácidos o alcalinos en sus ingredientes.
- **No utilice** cepillos metálicos para fregar ni lana de acero.

Si sigue estas instrucciones de limpieza, se asegurará de que el esmalte CEFIONTECT® de su producto TOTO permanezca intacto, manteniéndolo hermoso durante muchos años.



Sin CEFIONTECT®



Con CEFIONTECT®



## GARANTÍA

1. TOTO® garantiza que su vitreo china producto no presenta defectos en sus materiales ni de fabricación durante su uso normal cuando es instalado y mantenido adecuadamente, por un periodo de uno (1) año(s) a partir de la fecha de compra. Esta garantía limitada es válida solamente para el COMPRADOR ORIGINAL del Producto y no es transferible a una tercera persona, incluyendo, pero sin limitarse a, cualquier comprador o propietario subsiguiente del Producto. Esta garantía aplica solamente al Producto TOTO comprado e instalado en América del Norte, Central, Latina y del Sur.
2. Las obligaciones de TOTO bajo esta garantía se limitan a la reparación, cambio o cualquier otro ajuste, a petición de TOTO, del Producto o partes que resulten defectuosas en su uso normal, siempre que dicho Producto haya sido instalado, utilizado y mantenido de acuerdo con las instrucciones. TOTO se reserve el derecho de hacer tantas inspecciones como sean necesarias para determinar la causa del defecto. TOTO no cobrará por la mano de obra o partes relacionadas con las reparaciones o cambios garantizados. TOTO no es responsable por el costo de la remoción, devolución y/o reinstalación del Producto.
3. Esta garantía no aplica en los siguientes casos:
  - a. Daño o pérdida ocurrida en un desastre natural, tal como: incendio, sismo, inundación, relámpago, tormenta eléctrica, etc.
  - b. Daño o pérdida resultado de cualquier accidente, uso inaceptable, mal uso, abuso, negligencia o cuidado, limpieza o mantenimiento inadecuado del Producto.
  - c. Daño o pérdida causada por los sedimentos o material extraña contenida en un sistema de agua.
  - d. Daño o pérdida causada por una mala instalación o por la instalación del Producto en un ambiente duro y/o peligroso, o una remoción, reparación o modificación inadecuada del Producto. (NOTA: Los códigos de modelo del producto permiten un máximo de 80 PSI. Revise los códigos locales o las normas de requisitos.)
  - e. Daño o pérdida causada por sobrecargas eléctricas o rayos u otros actos que no sea responsabilidad de TOTO o que el Producto no esté especificado para tolerar.
  - f. Daño o pérdida causada por el uso normal y personalizado, tal como reducción del brillo, rayado o pérdida de color en el tiempo debido al uso, prácticas de limpieza o condiciones del agua o atmosféricas.
  - g. Mecanismos de funcionamiento del tanque de plástico o de goma piezas móviles.
  - h. Asientos del inodoro de plástico, madera o metal.
4. Para que esta garantía limitada sea válida, prueba de compra es necesaria. TOTO anima el registro de la garantía sobre compra para cree un archivo de la propiedad del producto en <http://www.totousa.com>. El registro del producto es totalmente voluntario y la falta a registrar no disminuirá sus derechos de garantía limitada.
5. ESTA GARANTÍA LE DA DERECHOS LEGALES ESPECÍFICOS. USTED PODRÍA TENER OTROS DERECHOS QUE PUEDEN VARIAR DEPENDIENDO DEL ESTADO O PROVINCIA EN EL QUE SE ENCUENTRE.
6. Para obtener el servicio de reparación de esta garantía, debe llevar el Producto o enviarlo prepago a un modulo de servicios TOTO junto con la prueba de compra (recibo de compra original) y una carta en la que plantee el problema, o póngase en contacto con un distribuidor TOTO o el contratista de servicio de los productos, o escriba directamente a TOTO U.S.A., INC., 1155 Southern Road, Morrow, GA 30260 (678) 466-1300 o (888) 295-8134, si fuera de los E.E.U.U. Si, debido al tamaño del producto o naturaleza del defecto, el Producto no puede ser devuelto a TOTO, la recepción en TOTO del aviso escrito del defecto junto con la prueba de compra (recibo de compra original) constituirá el envío. En tal caso, TOTO podrá escoger entre reparar el Producto en el domicilio del comprador o pagar el transporte del Producto a un módulo de servicio.

**ADVERTENCIA!** TOTO no será responsable de fallas o daños ocasionados en este producto de plomería o componente del producto causados por cloraminas en el tratamiento del suministro de agua público o en los limpiadores en el recipiente del tanque que contengan cloro (hipoclorito de calcio). Nota: el uso de cloro en alta concentración o productos derivados del cloro puede dañar seriamente los accesorios. Este daño puede ocasionar fugas y daños graves en la propiedad. Para obtener más información, llámenos al (888) 295-8134.

ESTA GARANTÍA ESCRITA ES LA ÚNICA GARANTÍA HECHA POR TOTO. LA REPARACIÓN, CAMBIO U OTRO AJUSTE ADECUADO, TAL COMO APARECE EN ESTA GARANTÍA, SERÁ EL ÚNICO REMEDIO DISPONIBLE PARA EL COMPRADOR ORIGINAL. TOTO NO SERÁ RESPONSABLE POR LA PÉRDIDA DEL PRODUCTO O POR CUALQUIER OTRO DAÑO ACCIDENTAL, ESPECIAL O CONSECUENTE O POR DAÑOS INCURRIDOS POR EL COMPRADOR ORIGINAL, O POR LA MANO DE OBRA U OTROS COSTOS RELACIONADOS CON LA INSTALACIÓN O REMOCIÓN, O COSTOS DE REPARACIONES HECHAS POR OTROS, O POR CUALQUIER OTRO GASTO NO INDICADO DE MANERA ESPECÍFICA EN LOS PÁRRAFOS ANTERIORES. EN NINGÚN CASO LA RESPONSABILIDAD DE TOTO EXCEDERÁ EL PRECIO DE COMPRA DEL PRODUCTO. EXCEPTO EN LA MEDIDA EN QUE QUEDE PROHIBIDO POR LA LEY APLICABLE, TODA GARANTÍA IMPLÍCITA, INCLUYENDO AQUELLAS DE COMERCIABILIDAD O IDONEIDAD DE USO PARA EL USO O PARA UN PROPÓSITO PARTICULAR, ESTÁ EXPRESAMENTE PROHIBIDA. ALGUNOS ESTADOS NO PERMITEN LAS LIMITACIONES ACERCA DE LA DURACIÓN DE UNA GARANTÍA TÁCITA, O LA EXCLUSIÓN O LIMITACIÓN DE DAÑOS INCIDENTALES O CONSECUENTES, POR LO QUE LA LIMITACIÓN E INCLUSIÓN ANTERIORES PUEDEN NO APLICAR A USTED.

## TABLE DES MATIÈRES

Merci d'avoir choisi TOTO®!	20
Outils communs nécessaires	20
Pièces incluses	20
Avant l'installation	21
Procédure d'installation	21
Entretien et nettoyage	23
Instructions d'entretien	24
Instruction de nettoyage CEFIONTECT®	27
Garantie	28
Robinetterie brute	29
Pièces de rechange	30

## MERCI D'AVOIR CHOISI TOTO!

La mission de TOTO est d'offrir au monde entier un style de vie sain, hygiénique et plus confortable. Comme principe de base, nous concevons chaque produit avec un équilibre entre la forme et la fonction. félicitations pour votre choix.

## OUTILS COMMUNS NÉCESSAIRES

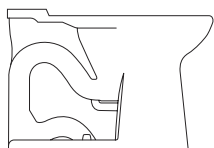
- Clé à molette de 10" (25,40 cm)
- Niveau à bulle d'air
- Scie à main pour métaux
- Mètre à ruban
- Pince à main
- Tournevis plat
- Couteau à mastiquer

## MATERIEL SUPPLEMENTAIRES (PAS FOURNIS PAR TOTO):

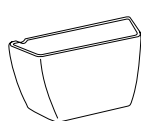
- Anneau de cire de la cuvette
- Boulons de Montage de la Bride de Sol des Toilette
- Conduits d'Eau
- Siège des toilettes (SoftClose recommandé)

## PIÈCES INCLUSES

Assurez-vous que vous avez toutes ces parties de l'emballage:



Cuvette des Toilettes



Réservoir



Couvercle



Join  
d'étanchéité



Manuel



- a. Boulons (métal) - 2  
b. Rondelles (caoutchouc) - 2



- c. Rondelles (métal) - 4  
d. Ecrous (métal) - 4

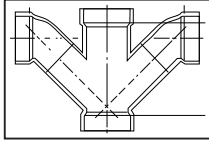


- e. Caps (plastic) - 2  
f. Base (plastic) - 2

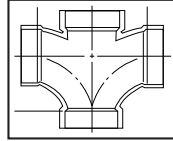
## AVANT L'INSTALLATION

- Lisez attentivement ces instructions avant toute installation.
- Mettez la notice d'utilisation à l'attention des clients de côté. Ces instructions comprennent des informations relatives à l'entretien et à la garantie.
- Si nécessaire, retirez le WC existant.

**IMPORTANT!** En raison de la performance de nos puissants cyclones, G-Max, E-Max et la puissance de pesateur chasses d'eau, ils ne sont pas précisés pour les installations de back-to-back. Le seul moyen de l'installation de ces toilettes dans une situation de back-to-back, c'est quand les connexions du drain de toilette incorporer un raccord de Wye. S'il vous plaît contacter votre constructeur ou l'entrepreneur avant cette installation.



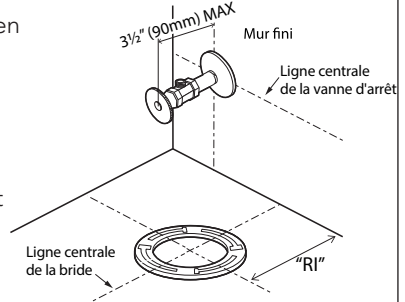
Combinaison Double WYE / 1/8 Coude  
**OUI**



Double Sanitaires T / Sanitaires de la Croix  
**NON**

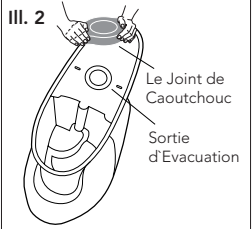
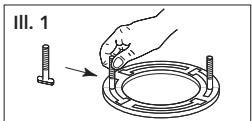
Afin que vos nouvelles toilettes TOTO soient bien posées, la robinetterie "RI", la distance entre le mur fini et le centre de la bride de sol, doit être d'au moins de 30,48 cm pour la plupart des modèles.

Modèles avec 25,4 cm/35.56 cm robinetterie ont des numéros de modèle se terminant par ".10/.14", par exemple C744EF.10/C744EF.14.



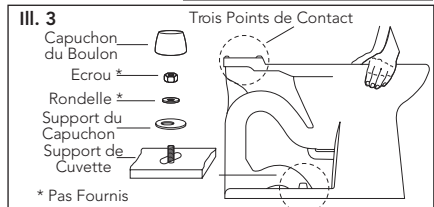
## PROCÉDURE D'INSTALLATION

- 1) Nettoyez tout débris de la bride de sol des toilettes. Ensuite, installez les boulons de montage (pas fournis) dans les orifices de la bride (voir Illustration 1). Le boulon doit être insérés dans l'orifice avec la tête renversée et tige filetée dirigée vers le haut.
- 2) Retournez soigneusement la toilettes sur un rembourrage. Posez fermement un joint de cuvette en caoutchouc (pas fourni) sur la gorge circulaire autour de la sortie d'évacuation de la cuvette (voir Illustration 2).
- 3) Retournez la toilette avec en la posant sur la bride de sol. Après l'avoir bien posée, exercez une force sur les bordures de la toilette pour fixer le joint (voir Illustration 3).



**ATTENTION:** Ne pas bouger la cuvette après avoir fixé le joint en caoutchouc. Posez les écrous et serrez jusqu'à ce que la cuvette soit stabilisé sur la bride. Placez les capuchons des boulons (voir Illustration 3).

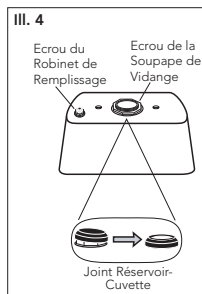
**ATTENTION:** Ne pas trop serrer les écrous pour éviter d'endommager la cuvette en porcelaine.



FRANÇAIS

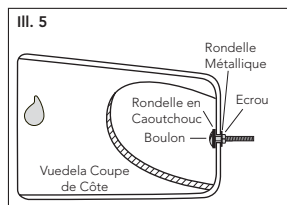
## PROCÉDURE D'INSTALLATION

4) Renversez le réservoir sur un rembourrage. Vérifiez le petit écrou de la valve de remplissage et le grand écrou de la soupape de vidange pour sécuriser la connexion (III. 4). Serrez l'écrou à la main. Si desserré, fixez en faisant un tour supplémentaire de 1/4 pour le petit écrou de la valve de remplissage, de 1/2 tour pour le grand écrou de la soupape de vidange.

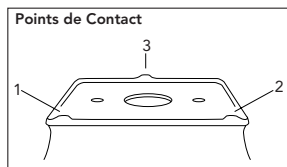


5) Placez le joint réservoir-cuvette sur l'écrou de la soupape de vidange. En appuyant, étalez le joint autour de l'écrou jusqu'à ce que le joint touche le bas du réservoir. Un petit espace est permis entre le bas du réservoir et le joint.

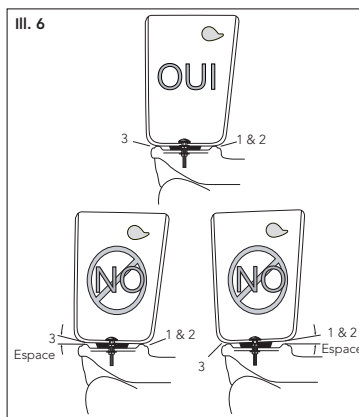
6) Posez le réservoir sur le côté. Placez une rondelle en caoutchouc sur un boulon en laiton (voir Illustration 5). A partir de l'intérieur du réservoir, insérez un boulon à travers les trous du bas. A l'extérieur, placez une rondelle métallique et un écrou autour du boulon. Maintenez le boulon centré dans le trou et serrez l'écrou à l'aide de vos doigts. Faites un 1/2 tour supplémentaire en utilisant une pince. Répétez ce processus pour les autres trous du réservoir.



7) Ramassez le réservoir et guidez soigneusement les boulons en laiton pour aligner le réservoir avec le bol.

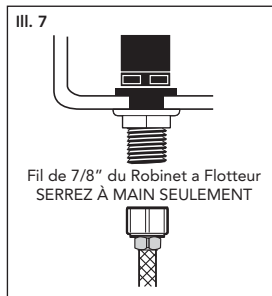


8) Soulevez soigneusement le réservoir et dirigez-le vers les boulons en laiton pour aligner le réservoir sur la cuvette. Associez une rondelle métallique et un écrou sur chaque boulon. Bien serrer les écrous à la main et vérifiez que le réservoir est nivelé. Une fois nivelé, fixez les boulons jusqu'à ce que le réservoir ait TROIS POINTS DE CONTACT avec la cuvette.



9) Faites couler l'eau dans les conduites pour quelques secondes pour évacuer les débris restés dans la nouvelle valve de remplissage. (Pour de nouvelles maisons et/ou modifications, chassez l'eau des conduites pendant plus d'une minute pour débarrasser tous débris résultant de l'utilisation des outils de plomberie).

10) Branchez la conduite d'eau sur le bout fileté de la valve comme indiqué sur le bas du réservoir. (voir Illustration 7). Serrez la connexion en tournant avec la main.

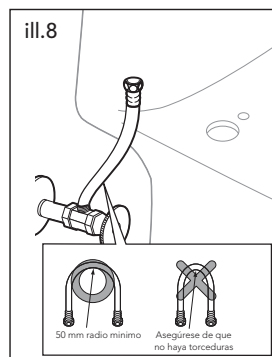


**ATTENTION:** Eviter de serrer avec une pince car cela peut endommager le plastique et/ou causer à la valve de pénétrer l'intérieur du réservoir.

## PROCÉDURE D'INSTALLATION

**NOTE:** La pression d'eau doit être statique et comprise entre 1,4 et 5,5 bars.

- 11) Installez le tuyau flexible d'alimentation en eau jusqu'à la butée angulaire (illustration 8) Assurez-vous que le tuyau ne présente pas de plis.
- 12) Installer le couvercle du réservoir des toilettes.
- 13) Rincez les toilettes plusieurs fois pour vérifier les problèmes et les fuites. Assurez-vous qu'aucune fuite d'eau ne se produit sur le bol et le réservoir.
- 14) Posez le siège sur la cuvette en utilisant la quincaillerie de montage fournie dans le carton. Placez le siège sur la cuvette et tournez la charnière vers le bas. Placez l'arrêt du siège sous la charnière. Insérez les boulons dans la charnière et à travers la cuvette. Placez l'écrou en plastique sur le boulon de par le dessous. Serrez bien le boulon et posez les bouchons de boulons du siège.



**NOTE:** Serrez les boulons du siège jusqu'à ce que la charnière soit stabilisée. Le siège et le couvercle auront un petit mouvement, cela est normal. Ce mouvement permet à l'abattant SoftClose® de ne pas fixer.

## ENTRETIEN ET NETTOYAGE

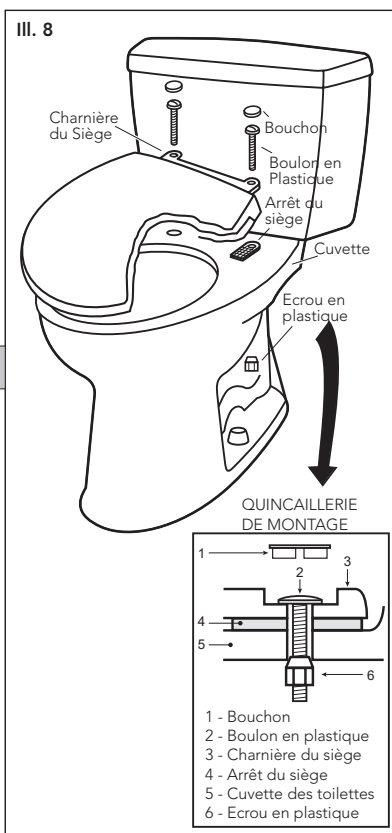
Utilisez un détergent ou un nettoyant pour toilette non abrasif et une brosse en plastique à soies souples pour nettoyer votre toilette. Pour enlever les taches d'eau dure, utilisez du vinaigre ou un nettoyant à pouvoir dissolvant pour le tartre et un tampon à recurer antiégratignure conçu pour la porcelaine. Laissez en contact pendant une certaine période pour permettre au nettoyant de dissoudre l'accumulation.

**NE PAS UTILISER LES NETTOYEURS POUR CUVETTE DE TOILETTE QUI S'INSÈRENT DANS LE RÉSERVOIR.**



L'utilisation d'une concentration élevée de chlore ou de produits contenant du chlore risque d'endommager sérieusement les éléments qui se trouvent dans le réservoir.

Ces dommages peuvent provoquer des fuites, ainsi que d'autres dégâts matériels. TOTO ne sera pas tenu responsable des défaillances ou des dommages matériels au réservoir causés par l'utilisation des nettoyeurs pour cuvette de toilette placés dans le réservoir.



## INSTRUCTIONS D'ENTRETIEN

### Installation du robinet de remplissage

- 1) Couper l'arrivée d'eau du toilette.
  - 2) Tirer la chasse d'eau et retirer l'eau restant dans le réservoir à l'aide d'une éponge.
  - 3) Retirer la connexion d'alimentation d'eau au niveau du robinet de remplissage.
  - 4) Retirer l'ancien robinet de remplissage et utiliser une éponge humide pour nettoyer l'orifice du réservoir.
  - 5) Placer le robinet de remplissage neuf dans l'orifice du réservoir.
  - 6) Visser l'écrou de fixation sur la tige du robinet de remplissage et serrer l'écrou.
- REMARQUE:** Ne pas trop serrer. Veiller à installer le robinet de remplissage dans une position qui ne gêne pas le fonctionnement du levier de déclenchement.
- 7) Connecter l'arrivée d'eau à la tige du robinet de remplissage et serrer manuellement.

**REMARQUE:** Ne pas trop serrer. Il s'agit de pièces en plastique. Ne jamais utiliser de pâte à joint au niveau d'une connexion d'arrivée d'eau.

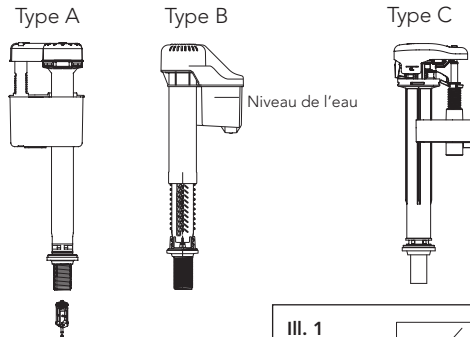
- 8) Attacher le tuyau de remplissage sur le manchon du robinet de remplissage et fixer l'autre extrémité du tuyau de remplissage sur le tuyau de trop-plein.

- 9) Ouvrir l'arrivée d'eau et rechercher d'éventuelles fuites à l'extérieur du réservoir.

**REMARQUE:** Lorsque l'eau remplit le réservoir, elle est également acheminée vers le tuyau de trop-plein, via le tuyau de remplissage. Ce flux d'eau supplémentaire est essentiel pour remplir la cuvette du toilette. Une fois que l'eau cesse de remplir le réservoir, il est possible que des gouttes d'eau résiduelles tombent du robinet de remplissage. Ceci est NORMAL et s'arrêtera rapidement.

### Réglage de niveau d'eau

Suivant l'usine de fabrication, vous pouvez disposer de l'un ou deux robinets de remplissage suivants:

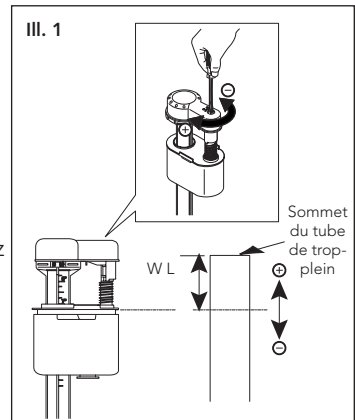


#### Pour le Valve de Remplissage de Type A et C:

Reportez-vous au niveau de l'eau (WL) contexte marqué sur la paroi intérieure du réservoir. Laissez l'eau pour remplir le réservoir. Tournez la vis de réglage dans le sens des aiguilles d'une montre dans la direction (+) pour augmenter la hauteur du niveau d'eau. Tournez la vis de réglage dans le sens contraire des aiguilles d'une montre dans la direction (-) pour réduire la hauteur du niveau d'eau. Tirez la chasse d'eau pour vérifiez que le niveau de l'eau est correct. Ajustez si nécessaire (voir Illustration 1).

#### Pour le Valve de Remplissage de Type B:

Pas besoin d'ajuster le niveau d'eau avec la valve de remplissage de Type B. La valve de remplissage a été réglée à l'usine.

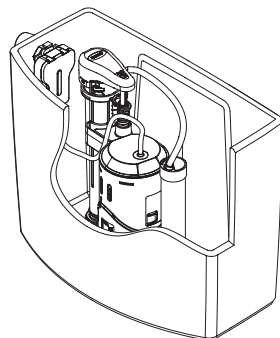




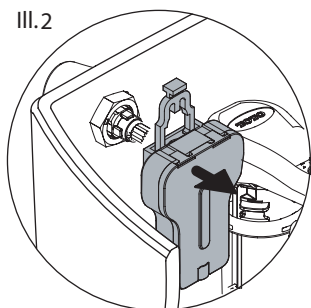
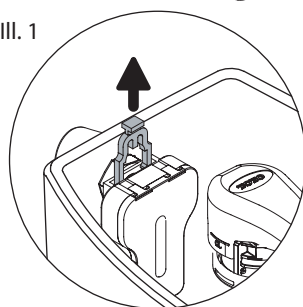
## INSTRUCTIONS D'ENTRETIEN

### Remplacement de la chasse d'eau (Modèles de réservoir ST453U et ST403U)

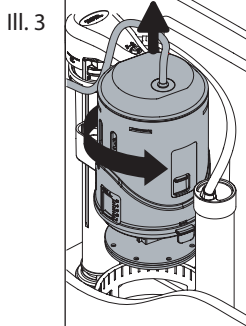
- 1) Coupez l'alimentation en eau et tirez la chasse d'eau.
- 2) Déposez le couvercle du réservoir et posez-le à l'envers sur une surface propre.
- 3) Tirez la barrette sur le dessus de la boîte d'engrenages du levier de déclenchement, comme illustré.
- 4) Retirez la boîte d'engrenages et mettez-la de côté, comme illustré. (voir Ill. 1 et Ill. 2)
- 5) Tournez la colonne de la chasse d'eau et remontez-la pour la déposer. (voir Ill. 3)
- 6) Déposez le joint d'étanchéité en caoutchouc et rincez à l'eau courante pour nettoyer. (voir Ill.4)
- 7) Remplacez le joint d'étanchéité sur la colonne de la chasse d'eau.
- 8) Alignez la colonne de la chasse d'eau et placez-la dans le boîtier, puis appuyez dessus légèrement pour la bloquer et la verrouiller en place.
- 9) Remplacez la boîte d'engrenages du levier de déclenchement et appuyez sur la barrette pour la verrouiller en place.
- 10) Vérifiez le niveau d'eau dans le réservoir et assurez-vous qu'il n'y a pas de fuites.
- 11) Tirez la chasse d'eau plusieurs fois pour vous assurer que le levier de déclenchement fonctionne normalement.
- 12) Reposez avec précaution le couvercle du réservoir sur le réservoir.



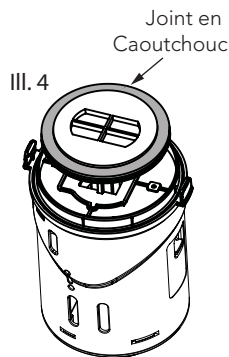
Ill. 1



Ill. 2



Ill. 3

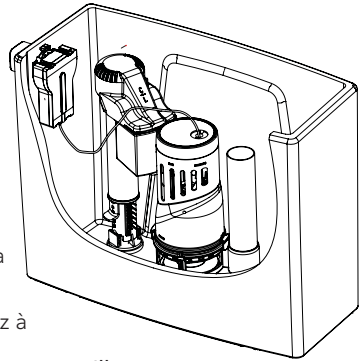


Ill. 4

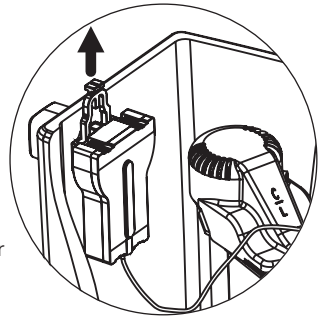
## INSTRUCTIONS D'ENTRETIEN

### Remplacement de colonne de la chasse d'eau ST494M (CST494CEMFG)

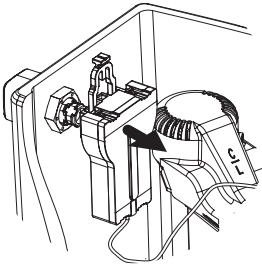
- 1) Coupez l'alimentation en eau de la toilette.
- 2) Chasse d'eau et retirer l'eau résiduelle du réservoir avec une éponge.
- 3) Tirez la barrette sur le dessus de la boîte d'engrenages du levier de déclenchement, comme illustré.
- 4) Retirez la boîte d'engrenages et mettez-la de côté, comme illustré. (voir III. 1 et III. 2)
- 5) Tournez la colonne de la chasse d'eau et remontez-la pour la déposer. (voir III. 3)
- 6) Déposez le joint d'étanchéité en caoutchouc et rincez à l'eau courante pour nettoyer. (voir III.4)
- 7) Remplacez le joint d'étanchéité sur la colonne de la chasse d'eau.
- 8) Alignez la colonne de la chasse d'eau et placez-la dans le boîtier, puis appuyez dessus légèrement pour la bloquer et la verrouiller en place.
- 9) Remplacez la boîte d'engrenages du levier de déclenchement et appuyez sur la barrette pour la verrouiller en place.
- 10) Vérifiez le niveau d'eau dans le réservoir et vérifiez pour des signes de fuite.
- 11) Tirez la chasse d'eau plusieurs fois pour vous assurer que le levier de déclenchement fonctionne normalement.
- 12) Tirer le levier de déclenchement vers l'avant pour la chasse complète et pou sez vers l'arrière pour la chasse léger.
- 13) Reposez avec précaution le couvercle du réservoir sur le réservoir.



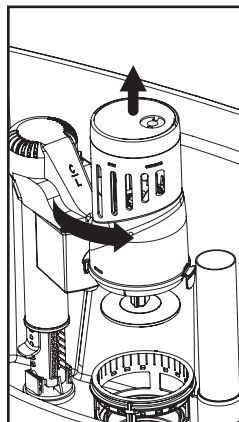
III. 1



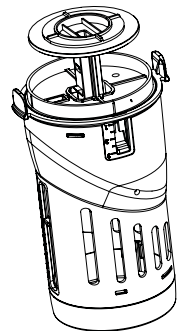
III. 2



III. 3



III. 4



## INSTRUCTIONS D'ENTRETIEN

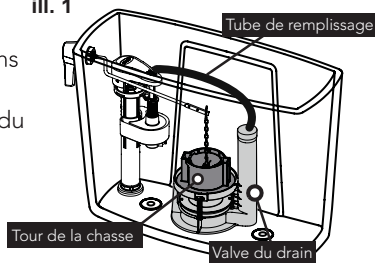
### Remplacement d'une valve du drain

- 1) Fermez l'arrivée en eau.
- 2) Actionnez la chasse d'eau de la toilette pour retirer l'eau du réservoir.
- 3) Retirez le couvercle du réservoir et placez-le dans un endroit sécuritaire.

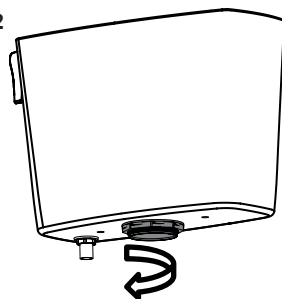
**REMARQUE :** Avant de retirer quoi que ce soit du réservoir, notez l'emplacement de la valve du drain, de la chaîne et du tube de remplissage.

- 4) Débranchez le tube de remplissage du tube de trop-plein de la valve du drain.
- 5) Débranchez la chaîne du levier de déclenchement.
- 6) Désinstallez le réservoir (consultez le manuel d'installation de la toilette).
- 7) Retirez le corps de la valve du drain du réservoir.
- 8) Remplacez la valve du drain dans la même position que l'ancienne valve du drain.
- 9) Serrez à la main l'écrou de montage de la valve du drain et utilisez une clé pour serrer d'un autre 3/4 de tour.
- 10) Remettez en place le réservoir sur le bol.
- 11) Accrochez la chaîne et remplissez de nouveau le tube à son niveau d'origine.
- 12) Ouvrez l'arrivée en eau et lorsque le réservoir est rempli, vérifiez s'il y a des fuites.

iii. 1



iii. 2



## INSTRUCTIONS DE NETTOYAGE CEFIONTECT®



### QU'EST-CE QUE CEFIONTECT®?

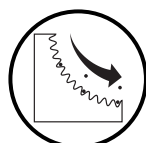
CEFIONTECT® est la glacer permanente ultra-lisse de TOTO qui empêche les débris de coller aux surfaces. Les produits avec la lettre «G» dans le numéro ont la glacer CEFIONTECT®. Cet émail, associé à un nettoyage régulier, aidera à garder votre produit TOTO en parfait état.

#### REMARQUE:

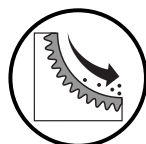
Pour un nettoyage régulier de votre produit TOTO avec CEFIONTECT®:

- Lavabo: utilisez un détergent à vaisselle et un chiffon doux.
- Toilette: utilisez un nettoyant à base de gel et une brosse en plastique à poils doux.
- **N'utilisez pas** de nettoyants, de poudres à polir ou de détergents contenant des particules granuleuses ou grossières.
- **N'utilisez pas** d'eau de Javel, de diluants chimiques ou de produits contenant des détergents acides ou alcalins dans leurs ingrédients.
- **N'utilisez pas** de brosses à récurer métalliques ou de laine d'acier.

Le respect de ces instructions de nettoyage, vous assurerez que le vernis CEFIONTECT® de votre produit TOTO reste intact, le gardant beau pendant de nombreuses années.



Pas de CEFIONTECT®



Avec CEFIONTECT®



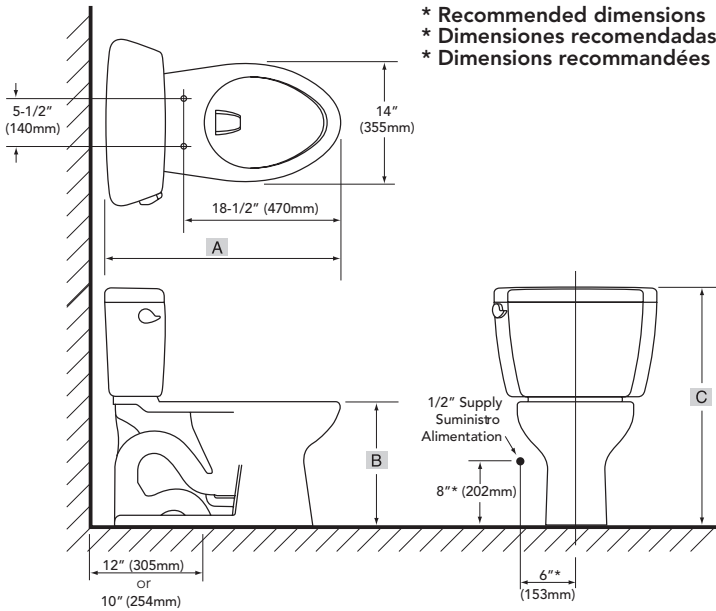
## GARANTIE

1. TOTO® garantit sa vitreuse china produits contre tout défaut de matériau et de fabrication pendant l'utilisation normale, lorsqu'elle est correctement installée et maintenue pour une période de une (1) ans à dater de l'achat. La présente garantie limitée ne peut être prolongée que pour le seul ACHETEUR D'ORIGINE de l'appareil et n'est pas transférable à un tiers, y compris mais pas limité à tout acheteur ou propriétaire subséquent du produit. Cette garantie n'est applicable qu'aux produits achetés et installés en Amérique du Nord, Centrale, Latine, et du Sud.
2. Les obligations de TOTO selon les termes de cette garantie sont limitées à la réparation, remplacement ou autre ajustement en conséquence, au choix de TOTO, des produits ou des pièces défectueuses en service normal, pourvu qu'un tel produit ait été installé, utilisé et entretenu conformément aux instructions. TOTO se réserve le droit d'effectuer ce genre de vérifications en cas de nécessité afin de déterminer la cause du défaut. TOTO ne facturera pas les interventions ou les pièces relatives à la réparation et au remplacement sous garantie. TOTO n'est pas responsable du coût de désinstallation, de renvoi et/ou de réinstallation de l'appareil.
3. La garantie ne s'applique pas dans les cas suivants:
  - a. Dommage ou perte suite à une cause naturelle telle que incendie, tremblement de terre, inondation, tonnerre, orage etc.
  - b. Dommage ou perte causés par tout accident, utilisation non adaptée, un abus, une négligence ou un mauvais traitement, nettoyage ou entretien de l'appareil.
  - c. Dommage ou perte causé par des sédiments ou tout autre corps étranger contenus dans un réseau d'alimentation en eau.
  - d. Dommage ou perte suite à une mauvaise installation ou à l'installation de l'appareil dans un environnement rude et/ou dangereux ou une mauvaise désinstallation, réparation ou m. (REMARQUE: Les codes de modèle du produit permet un maximum de 80 PSI. Vérifiez les codes locaux ou des normes pour les besoins).
  - e. Dommage ou perte suite à des surtensions, foudres ou tous autres actes qui ne sont pas la responsabilité de TOTO, ou actes stipulés non supportables par le produit.
  - f. Dommage ou perte résultant d'une usure normale et habituelle, telle que la diminution du lustre, grattage ou décoloration avec le temps, habitude de nettoyage, l'eau, ou des conditions atmosphériques.
  - g. Mécanismes de chasse d'eau du réservoir en plastique ou en caoutchouc pièces en mouvement..
  - h. Les sièges des toilettes en plastique, en bois ou en métal.
4. Pour que la garantie limitée soit valable, la preuve d'achat est exigée. TOTO vous encourage à enregistrer votre produit après l'achat pour créer un record du propriété, cela peut être fait au site <http://www.totousa.com>. L'enregistrement du produit est complètement volontaire et à défaut de l'enregistrement ne va pas limiter votre droit au garantie limitée.
5. CETTE GARANTIE DONNE DES DROITS SPÉCIFIQUES. IL EST POSSIBLE QUE L'ACHETEUR AIT D'AUTRES DROITS QUI VARIENT DUN ÉTAT A UN AUTRE OU D'UNE PROVINCE À L'AUTRE.
6. Pour obtenir une réparation selon les termes de cette garantie, l'acheteur doit livrer à un centre de réparation de TOTO port payé avec preuve d'achat (reçu de caisse original), et une lettre expliquant le problème, ou contacter un distributeur de TOTO ou un entrepreneur de réparation du produit ou écrire directement à TOTO U.S.A., INC., Southern Road, Morrow, Géorgie 30260, (678) 466-1300 ou appelé (888) 295-8134, si en dehors de l'Etat Unis. Si, à cause de la taille du produit ou de la nature du défaut, il n'est pas possible de renvoyer le produit à TOTO, la réception par TOTO d'un avis écrit du défaut avec preuve d'achat (reçu de caisse original) constitue livraison. Dans un tel cas, TOTO peut choisir de réparer le produit chez l'acheteur ou de payer le transport du produit à un centre de réparation.

ATTENTION! TOTO décline toute responsabilité quant aux panes ou aux dommages causés sur ce produit de plomberie ou composant du produit par la chloramine contenue dans le traitement de l'alimentation en eau publique ou dans les produits d'entretien pour réservoirs des toilettes contenant du chlore (hypochlorite de calcium). Remarque : l'utilisation d'une forte concentration de chlore ou de produits à base de chlore risque d'endommager sérieusement la tuyauterie. Ces dommages peuvent provoquer des fuites et des dégâts des eaux. Pour plus d'informations, contactez-nous au (888) 295-8134.

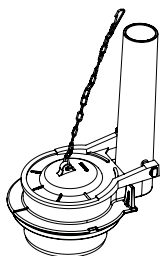
CETTE GARANTIE ÉCRITE EST LA SEULE GARANTIE FAITE PAR TOTO. LA RÉPARATION, LE REMPLACEMENT OU TOUT AUTRE AJUSTEMENT APPROPRIÉ SELON LES TERMES DE CETTE GARANTIE EST LE SEUL RECOURS DE L'ACHETEUR INITIAL. TOTO N'EST PAS RESPONSABLE DE LA PERTE DU PRODUIT OU DE TOUT AUTRE DOMMAGE INDIRECT, SPÉCIAL OU SECONDAIRE OU DES DÉPENSES ENCOURUES PAR L'ACHETEUR INITIAL NI DE LA MAIN-D'OEUVRE OU AUTRES FRAIS ASSOCIÉS À L'INSTALLATION OU LA MANIPULATION, OU LES FRAIS DE RÉPARATION PAR DES TIERS, NI POUR TOUS AUTRES FRAIS PAS SPÉCIFIQUEMENT MENTIONNÉS. EN AUCUN CAS, LA RESPONSABILITÉ DE TOTO NE PEUT DÉPASSER LE PRIX D'ACHAT DU PRODUIT. SAUF QUAND INTERDITE PAR UNE LOI APPLICABLE, TOUTE GARANTIE SOUS-ENTENDUE, Y COMPRIS CELLE DE VENDABILITÉ OU D'APPLICATION POUR UN USAGE PARTICULIER, EST EXPRESSÉMENT REJETÉ. CERTAINES PAYS NE PERMETTENT PAS LA LIMITATION DE LA LONGUEUR D'UNE GARANTIE SOUS-ENTENDUE, OU L'EXCLUSION OU LA LIMITATION DES DOMMAGES INDIRECTS OU SECONDAIRES, IL EST DONC POSSIBLE QUE CETTE LIMITATION ET EXCLUSION NE S'APPLIQUE PAS À VOTRE CAS.

# ROUGH-IN DIMENSIONS / BOSQUEJO / ROBINETTERIE BRUTE



Model	A	B	C
CST243EF	26-7/8"	16-1/8"	30"
CST244EF	28-3/4"	16-1/8"	30"
CST404CEF(G)	28-1/2"	16-1/8"	31-1/4"
CST404CUF(G)	28-1/2"	16-1/8"	31-1/4"
CST423EF(G)	26-3/8"	16-1/8"	33-1/2"
CST424EF(G)	28-1/4"	16-1/8"	33-1/2"
CST453CEF(G)	26-1/2"	16-1/8"	29-1/2"
CST453CUF(G)	26-1/2"	16-1/8"	29-1/2"
CST454CEF(G)	28-1/2"	16-1/8"	29-1/2"
CST454CUF(G)	28-1/2"	16-1/8"	29-1/2"
CST743E	26-3/8"	14-5/8"	28-1/2"
CST743ED	26-3/8"	14-5/8"	28-1/2"
CST744EL	28"	16-1/2"	30-1/2"
CST744ELD	28"	16-1/2"	30-1/2"
CST744EF.10	28"	16-1/8"	30-1/8"
CST744EFD.10	28"	16-1/8"	30-1/8"
CST744E(G)	27-3/4"	14-5/8"	28-1/2"
CST744ED(G)	27-3/4"	14-5/8"	28-1/2"
CST754EF(N)	28-1/8"	16-1/8"	32-1/2"
CST784EF	28-1/2"	16-1/8"	32-1/2"
CST744E(G)N	28-3/8"	14-5/8"	29-1/8"
CST743EN	26-5/8"	14-5/8"	29-1/8"
CST744ELN	28-3/8"	16-1/2"	31-1/8"
CST744EFN.10	28-5/8"	16-1/8"	30-3/4"
CST494CEMF(G)	28-3/4"	16-1/8"	30-1/4"

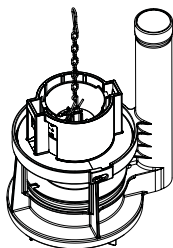
## REPLACEMENT PARTS / REFACCIONES / PIÈCES DE RECHANGE



For flapper type drain valve

Model Modelo Modèle	Flapper Tapón Clapet	Fill Valve Válvula de Llenado Robinet de Remplissage (Type A or C)	Fill Valve Válvula de Llenado Robinet de Remplissage (Type B)	Flush Valve Válvula de la Cisterna Soupape de Vidange	Trip Lever Palanca de Descarga Levier de Dèclenchement
ST243E	THU499S	TSU53A	TSU99A.X	THU252P-A	THU068#XX
ST243ER	THU499S	TSU53A	TSU99A.X	THU252P-A	THU279#CP
ST424E	THU499S	TSU53A	TSU99A.X	THU252P-A	THU141N#CP
ST424S	THU499S	TSU53A	TSU99A.X	THU252P-A	THU141NXX
ST453U	9BU094	TSU53A	N/A	THU396	THU390#CP
ST453UR	9BU094	TSU53A	N/A	THU374	THU390#CP
ST454E	THU499S	TSU54A	TSU99A.X	THU252P-A	THU068#XX
ST454ER	THU499S	TSU54A	TSU99A.X	THU252P-A	THU279#XX
ST494M	N/A	N/A	TSU09A.X	THU417	THU416#CP
ST743E(B)	THU499S	TSU53A	TSU99A.X	THU252P-A	THU068#XX
ST743ED(B)	THU499S	TSU53S	TSU99A.X	THU129P-A	THU068#XX
ST743ER(B)	THU499S	TSU53S	TSU99A.X	THU252P-A	THU279#XX
ST743S(B)	THU499S	TSU53S	TSU99A.X	THU129P-A	THU068#XX
ST743SD(B)	THU092-7	TSU53S	TSU99A.X	THU130	THU068#XX
ST743SR(B)	THU499S	TSU53A	TSU99A.X	THU129P-A	THU279#CP
ST744E	THU499S	TSU53S	TSU99A.X	THU252P-A	THU398#CP
ST744ER	THU499S	TSU53S	TSU99A.X	THU252P-A	THU398#CP
ST753E	THU499S	TSU53S	TSU99A.X	THU252P-A	THU141#XX
ST753S	THU499S	TSU53S	TSU99A.X	THU129P-3A	THU141#XX
ST754E	THU499S	TSU53S	TSU99A.X	THU252P-2A	THU141#XX
ST754S	THU499S	TSU53S	TSU99A.X	THU129P-6A	THU141#XX
ST784E	THU499S	TSU53S	TSU99A.X	THU252P-4A	THU148#XX
ST784S	THU499S	TSU53S	TSU99A.X	THU129P-4A	THU148#XX

## REPLACEMENT PARTS / REFACCIONES / PIÈCES DE RECHANGE



For flush tower type drain valve

Model Modelo Modèle	Drain Valve Válvula de drenaje Valve du drain	Flush Tower Torre de descarga Chasse d'eau	Seal Gasket Junta de sellado Joint d'étanchéité	Fill Valve Válvula de llenado Robinet de remplissage	Trip Lever Palanca de descarga Lever de dèclenchement
ST403E	THU443.15K-A	THU440	THU440-A	TSU53A	THU458N#XX
ST403U	THU467	N/A	THU474	TSU53A	THU466#XX
ST424ET	THU443.21C-A	THU440	THU407	TSU53A	THU141N#CP
ST424ST	THU442.21A-A	THU440	THU407	TSU53A	THU141N#CP
ST454ET	THU445.10F-A	THU440	THU407	TSU53A	THU068#XX
ST454ERT	THU445.10F-A	THU440	THU407	TSU53A	THU279#CP
ST743E(B)T	THU445.10F-A	THU440	THU407	TSU53A	THU068#XX
ST743ED(B)T	THU441.10J-A	THU440	THU407	TSU53A	THU068#XX
ST743ER(B)T	THU445.10F-A	THU440	THU407	TSU53A	THU279#CP
ST743S(B)T	THU443.10B-A	THU440	THU407	TSU53A	THU068#XX
ST743SD(B)T	THU440.15H-A	THU460	THU407	TSU53A	THU068#XX
ST743SR(B)T	THU443.10B-A	THU440	THU407	TSU53A	THU279#CP
ST744ET	THU443.10B-A	THU440	THU407	TSU53A	THU398#CP
ST744ERT	THU443.10B-A	THU440	THU407	TSU53A	TH398#CP
ST753ET	THU444.10D-A	THU440	THU407	TSU53A	THU141#XX
ST754ET	THU445.15G-A	THU440	THU407	TSU53A	THU141#XX
ST784ET	THU444.15E-A	THU440	THU407	TSU53A	THU148#XX

# TOTO®

TOTO® U.S.A., Inc. 1155 Southern Road,  
Morrow, Georgia 30260  
Tel: 888-295-8134 Fax: 800-699-4889  
[www.totousa.com](http://www.totousa.com)

0GU048Z-14  
Rev Date: 2/22



#### Warranty Registration and Inquiry

For product warranty registration, TOTO U.S.A. Inc. recommends online warranty registration. Please visit our web site <http://www.totousa.com>. If you have questions regarding warranty policy or coverage, please contact TOTO U.S.A. Inc., Customer Service Department, 1155 Southern Road, Morrow, GA 30260 (888) 295-8134 or (678) 466-1300 when calling from outside of U.S.A.