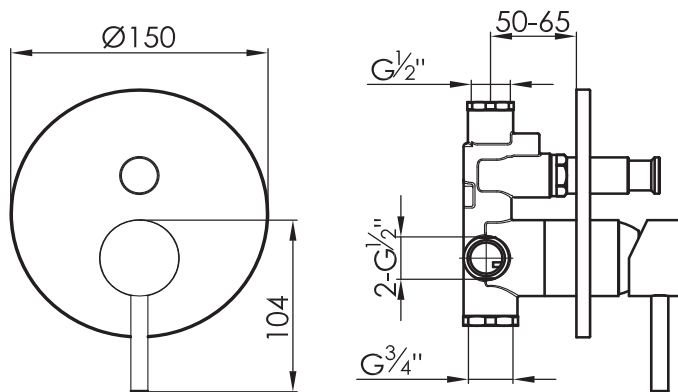




# JEE-O slimline mixer 02



Article code:	800-2200 ● Brushed 800-2203 ● Structured black	Connection:	1 x G 3/4" (ø19mm / 0.75") 3 x G 1/2" (ø15mm / 0.6") British Standard Pipe (BSP)
Material:	Stainless Steel r304	Thread:	
Cleaning instructions:	download JEE-O shower and taps manual on our website: <a href="http://www.jee-o.com">www.jee-o.com</a>	Dimension package:	L 22 x W 18 x H 19 cm
Cartridge:	Sedal ceramic mixing mechanism (40mm), item code 005-0102	Total weight:	1.82 kg
Flow at water of 38°C / 100,4°F:	11l / 2.9gal p/m at 3bar pressure	Package weight:	0.42 kg
		7 year warranty - The general conditions can be found on our website: <a href="http://www.jee-o.com/downloads">www.jee-o.com/downloads</a>	
		HS code:	84818011900
		Approvals:	SLS BS EN 817