

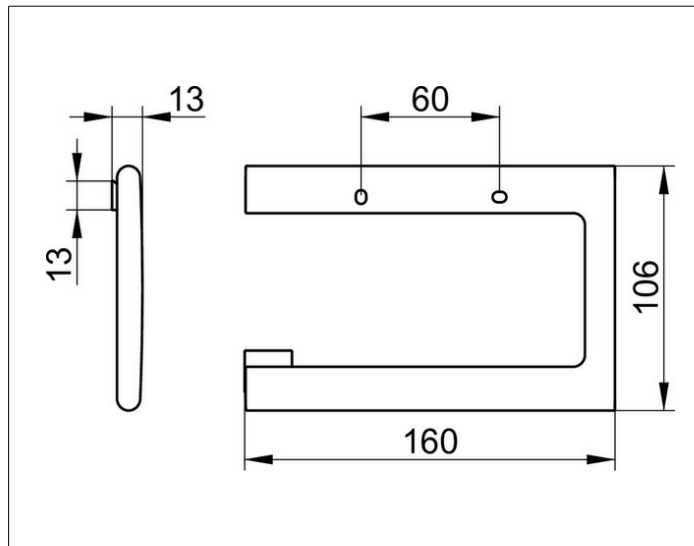
Edition 400

11562010000 Toilet paper holder

PRODUCT



DRAWING



PRODUCT ATTRIBUTES

open form
for 100/120 mm wide paper rolls

SURFACE

chrome-plated

SPECIFICATIONS

KEUCO Edition 400 Toilet paper holder, 11562010000
chrome-plated toilet paper holder,
sculptural design,
easy to clean, wall-mounted,
with concealed bearing,
open form, for 100/120 mm wide paper rolls,
width 160 mm, height 106 mm, depth 13 mm,
the toilet paper holder is fitted concealed,
delivery included anti-corrosion fixings