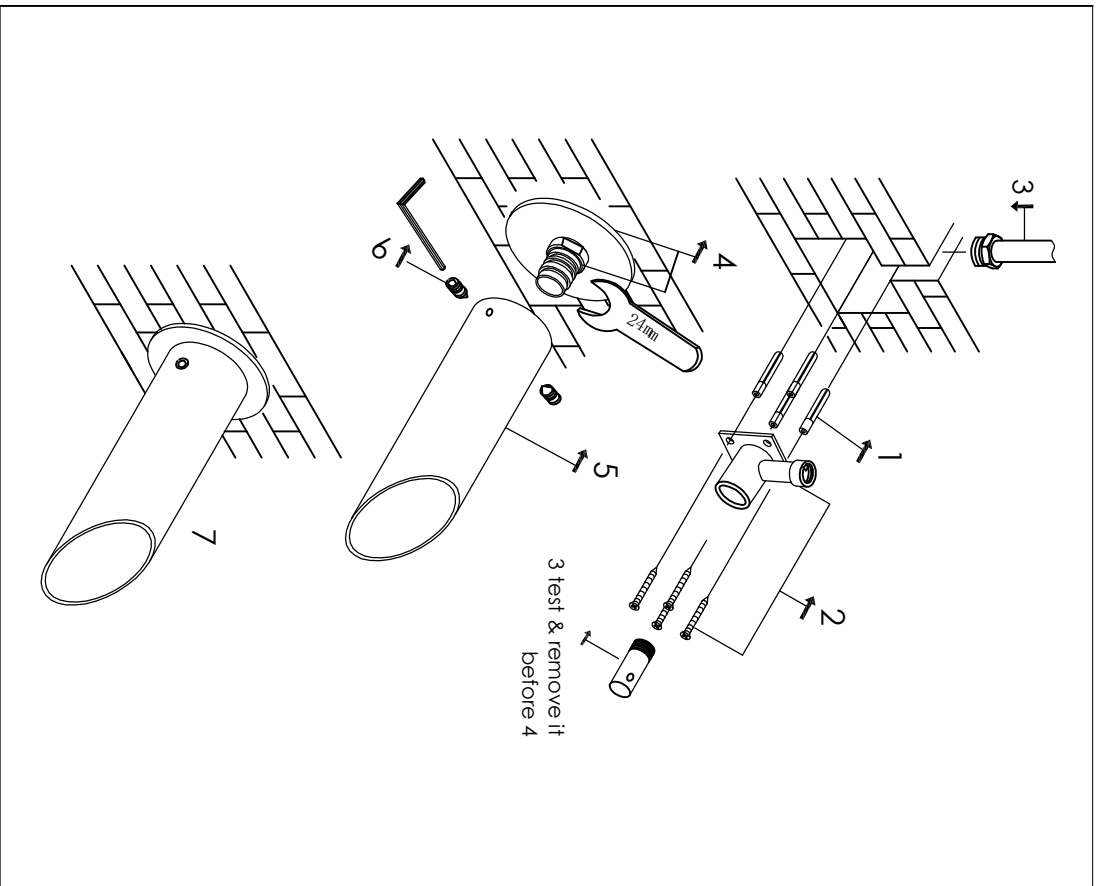


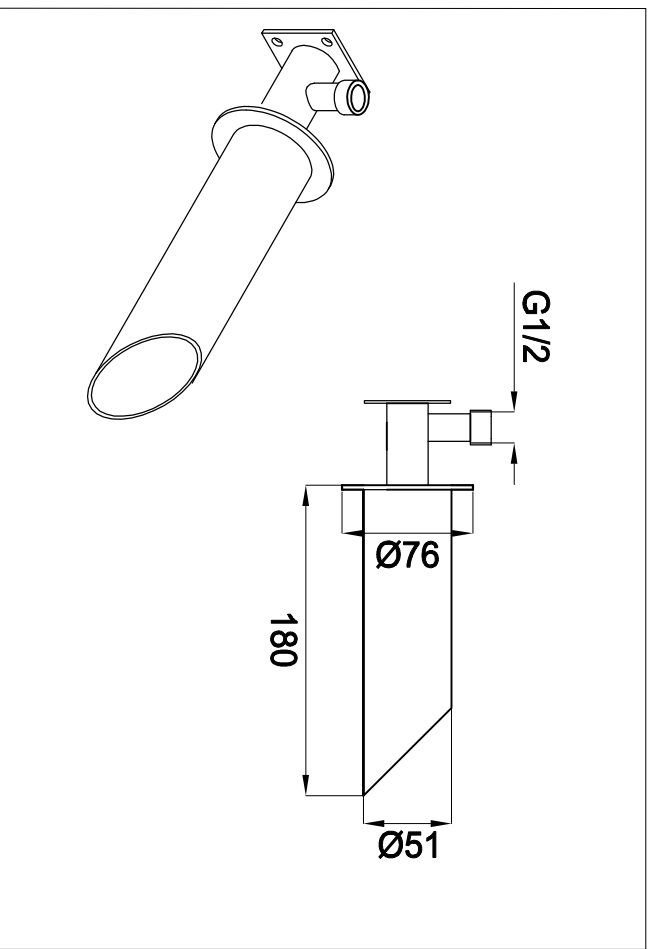


300-3900

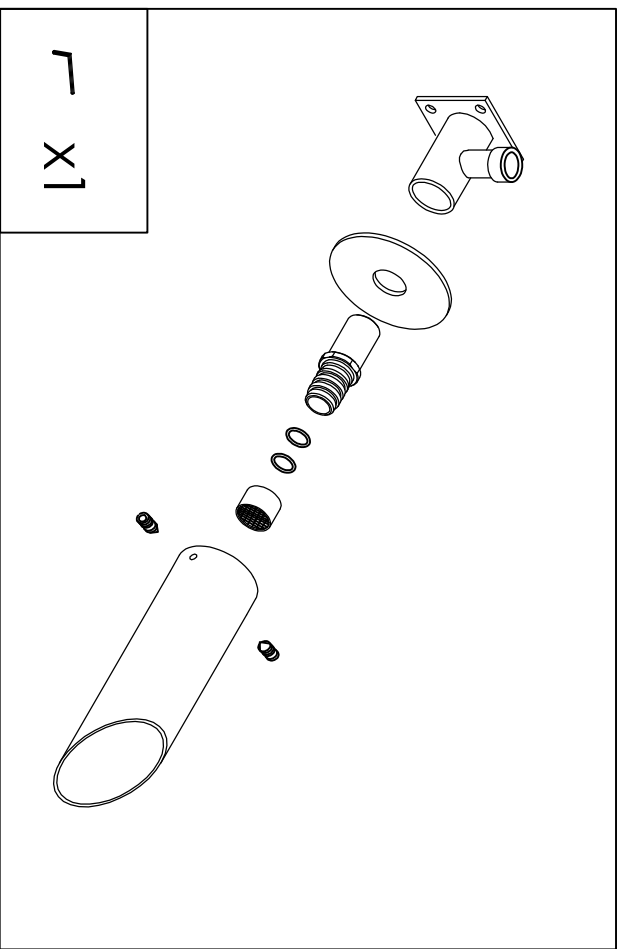
installation



technical diagram



explosion diagram



X1