

## Initializing the EcoPower Product

Thank you for choosing the latest innovation in low power consumption EcoPower products. Please note below the duration of time required to initialize the electronics.

It will take approximately 5 minutes after connecting the battery for the electronics to initialize. This delay is a normal part of startup. After approximately 30 seconds, the sensor LED will start flashing in 4 second intervals until the initialization is complete.

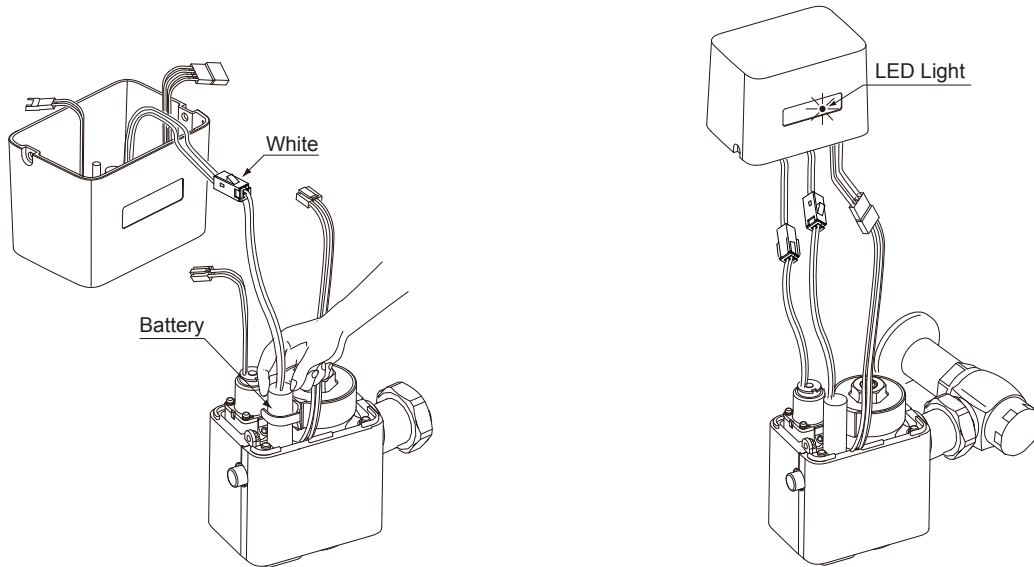


image shown TET1LA#CP

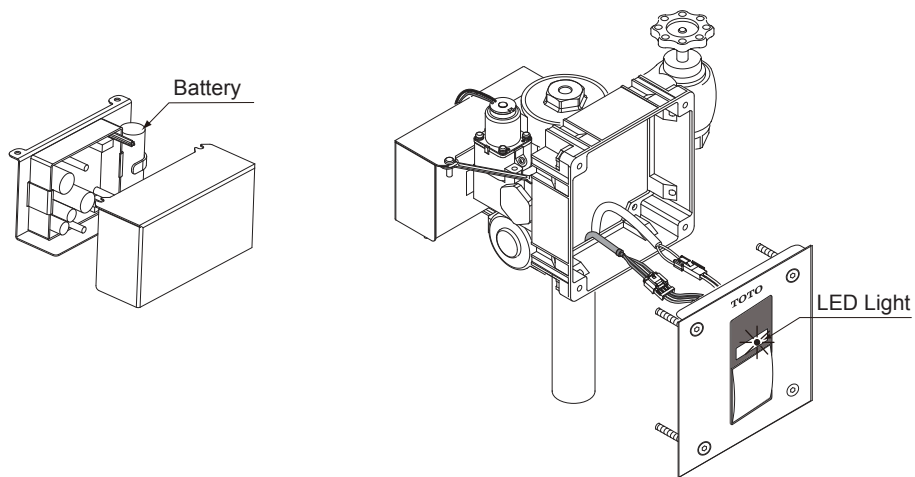


image shown TET3LA#SS