

EP Wall-Hung Toilet, 1.28 GPF & 0.9 GPF

FEATURES

EP Bowl

- DYNAMAX TORNADO FLUSH® system, high efficiency (1.28 GPF/0.9 GPF)
- CEFIONTECT® ceramic glaze - prevents debris, mold from sticking to ceramic surfaces
- Universal Height
- Elongated front bowl

DuoFit In-Wall Tank

- Dual flushing system, high-efficiency (1.28 GPF/4.8 LPF & 0.9 GPF/3.4 LPF) Avg. flush 1.03 GPF
- Adjustable 15"-19" mounting height
- Saves up to 9" of floor space compared to standard floor-mounted toilet
- Supports up to 880lbs
- Commercial 2" x 6" or optional residential installation with 2" x 4" wall studs with waste outlet kit
- Copper supply line

Push Plate

- YT930
Basic Round Push Plate
#WH White Matte or #MS Matte Silver

KIT COMPONENTS

- CT428CFG#01
EP Wall-Hung Toilet
- WT172M#01
In-Wall Tank System (Copper Pipe)
- YT930
Basic Round Push Plate
#WH White Matte or #MS Matte Silver

Available Options

- YT920#WH - White Matte Basic Square Push Plate
- YT920#MS - Matte Silver Basic Square Push Plate
- YT970#SS - Stainless Steel Wall Square Push Plate
- YT980#SS - Stainless Steel Wall Round Push Plate
- SS114 - SoftClose Seat

COLORS/FINISHES

- Standard
#01 Cotton



D+ DYNAMAX
TORNADO FLUSH

SD Skirted Design

CE CEFIONTECT

CODES/STANDARDS

- Meets or exceeds:
 - Bowl: ASME A112.19.2/CSA B45.1, ASME A112.19.14
 - Carrier System: ASME A112.6.2
 - Tank Trim: IAPMO PS50, CSA B125.3, ASSE1002
- Certifications: IAPMO (cUPC), EPA WaterSense State of Massachusetts, City of Los Angeles and others
- Legislative compliance: California AB715, California Green Building Code, City of Los Angeles Water Efficiency Ordinance
- Code Compliance: UPC, IPC, NSPC, NPC Canada, and others
- Complies with CA Prop 65 warning requirements



CWT428CMFG

EP Wall-Hung Toilet, 1.28 GPF & 0.9 GPF

PRODUCT SPECIFICATIONS

	CT428CFG	WT172M
Water Use	1.28 GPF & 0.9 GPF (4.8 LPF & 3.4 LPF)	1.28 GPF & 0.9 GPF (4.8 LPF & 3.4 LPF)
Flush System	DYNAMAX TORNADO FLUSH®	Dual flushing
Min. Water Pressure	8 psi (static)	8 psi (static)
Max. Water Pressure	108.75 psi (static)	108.75 psi (static)
Water Surface	5-1/2" X 4-1/8"	
Trap Diameter	2-1/8"	
Installation Height	15" to 19"	15" to 19"
Trap Seal	2-1/8"	
Warranty	One Year Limited Warranty	One Year Limited Warranty
Material	Vitreous China	Various
Shipping Weight	68 lbs	38 lbs
Shipping Dimensions	22" L x 14.6" W x 16.5 H	48" L x 26-1/2" W x 6" H

CT428CFG

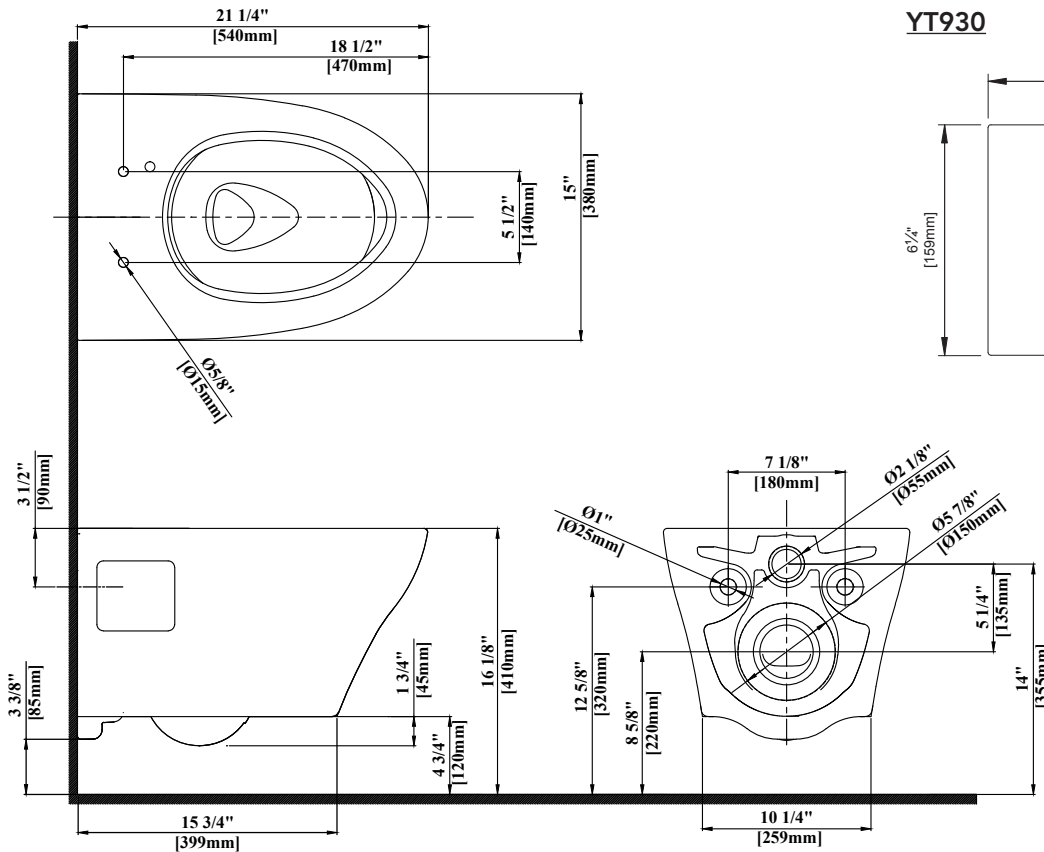
This universal height, high efficiency DYNAMAX TORNADO flushing system toilet shall be 1.28 GPF & 0.9 GPF. Toilet shall have CEFIONTECT® ceramic glaze. Toilet shall be mounted to in-wall tank system, elongated front bowl and wall-mounted push-button type trip lever. Toilet shall be TOTO Model CT428CFG.

WT172M

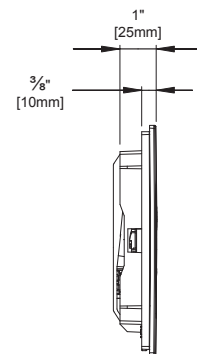
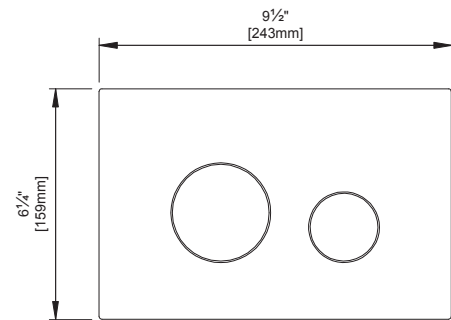
This universal height, high-efficiency, dual flushing, in-wall tank system toilet shall be 1.28 GPF & 0.9 GPF. Requires TOTO toilet model CT428CFG. In-Wall tank system shall be TOTO Model WT172M.

PRODUCT DIMENSIONS

CT428CFG



YT930

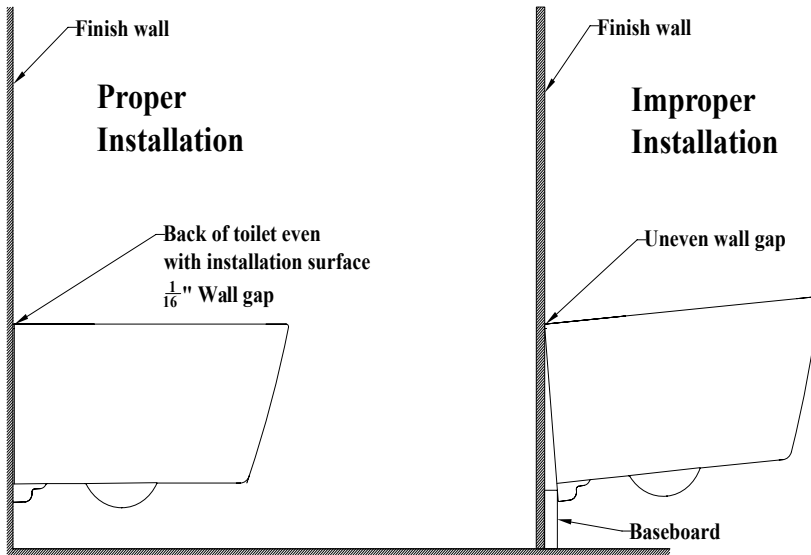


CWT428CMFG

EP Wall-Hung Toilet, 1.28 GPF & 0.9 GPF

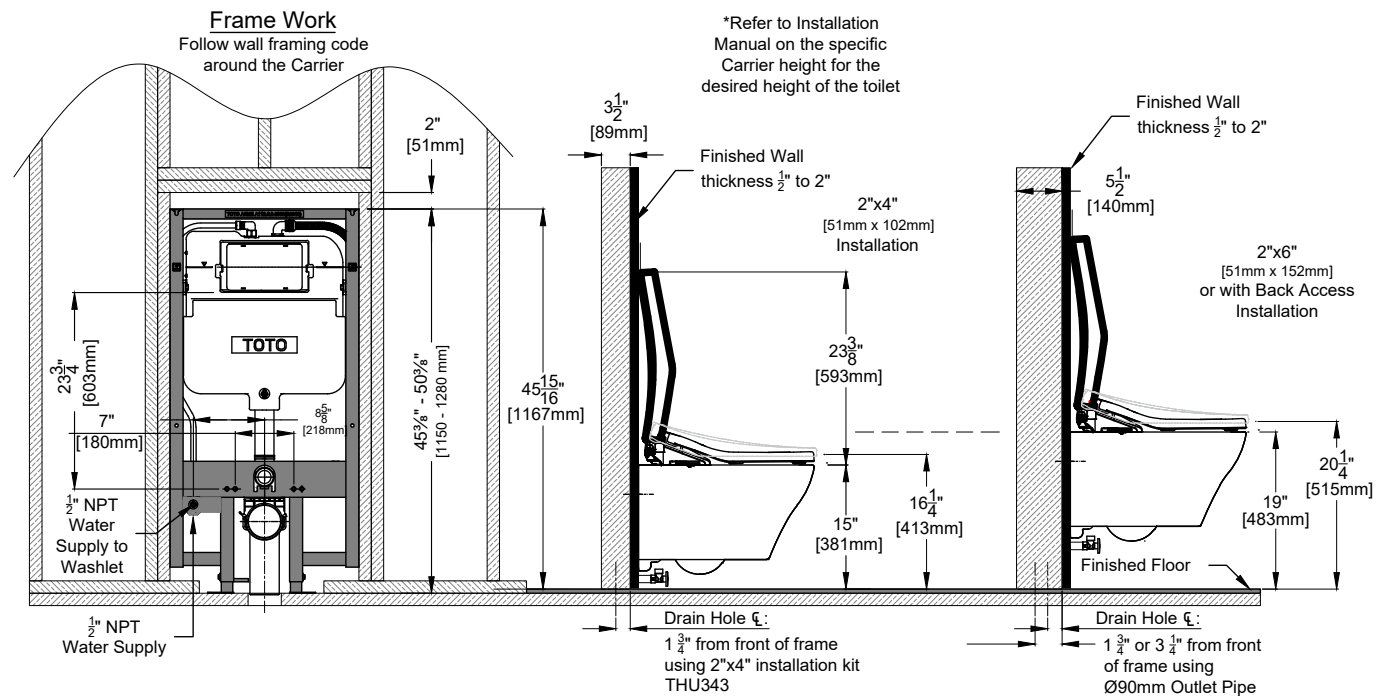
INSTALLATION NOTES

- Adequate structural bracing is required
- Framing support should be capable of supporting 880 lbs load without damage to the wall. See installation manual for more details.



DIMENSIONS

WT172M



TOTO

These dimensions and specifications are subject to change without notice