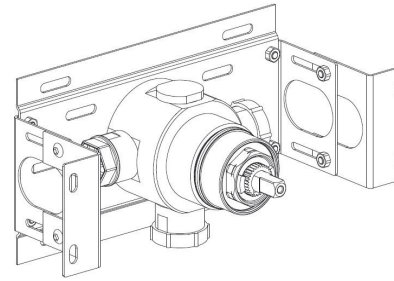
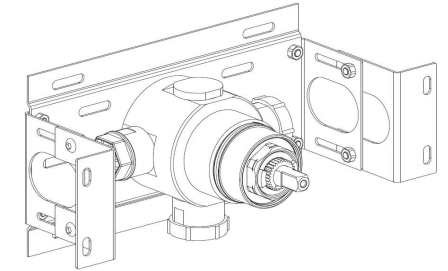


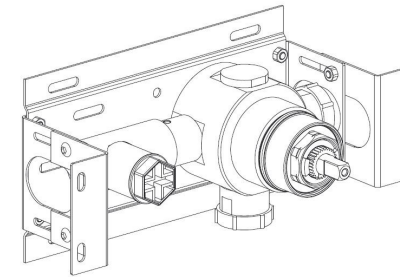
BOX01-316-2019



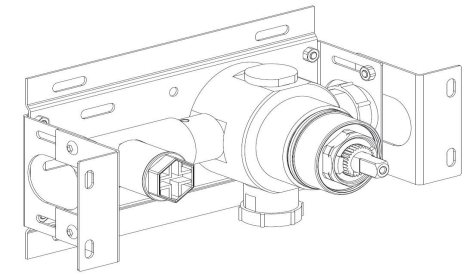
BOX01-2019



BOX02-L-316-2019

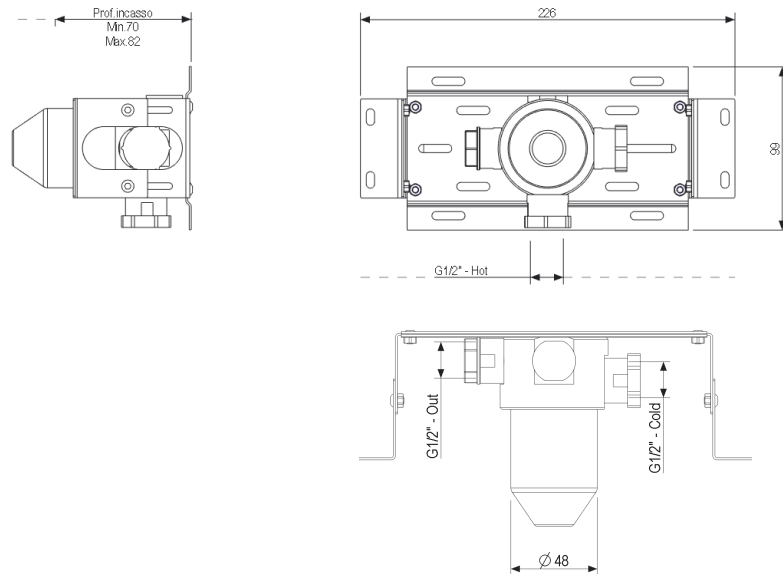


BOX02-L-2019



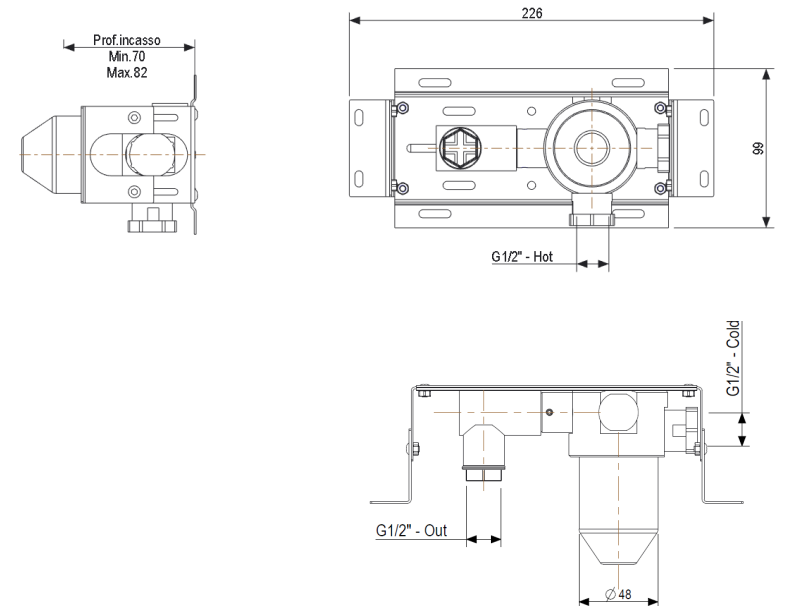
BOX01-316-2019

BOX01-2019



BOX02-L-316-2019

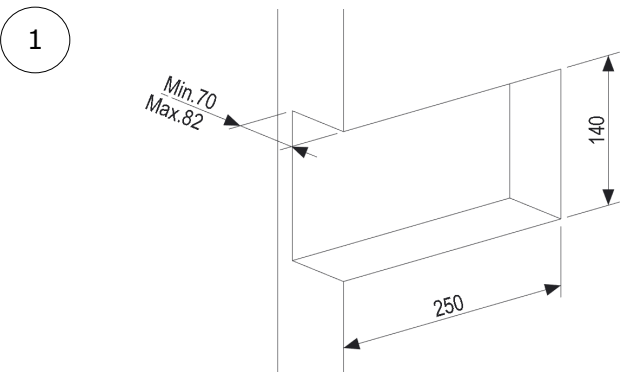
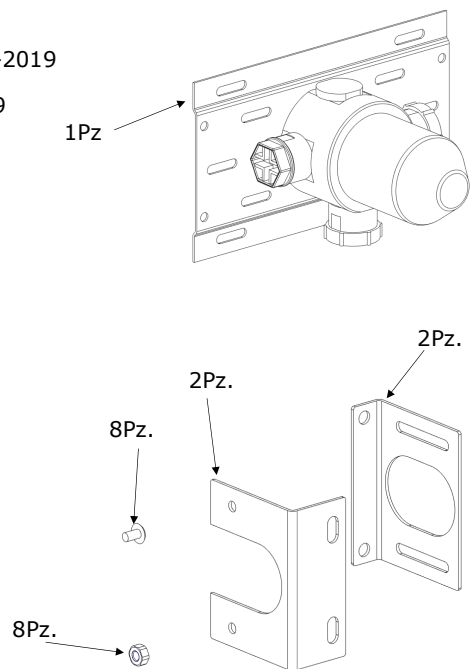
BOX02-L-2019



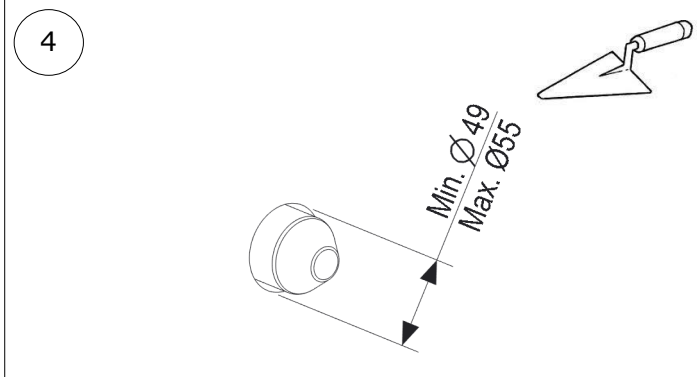
The contents of the box:

BOX01-316-2019

BOX01-2019



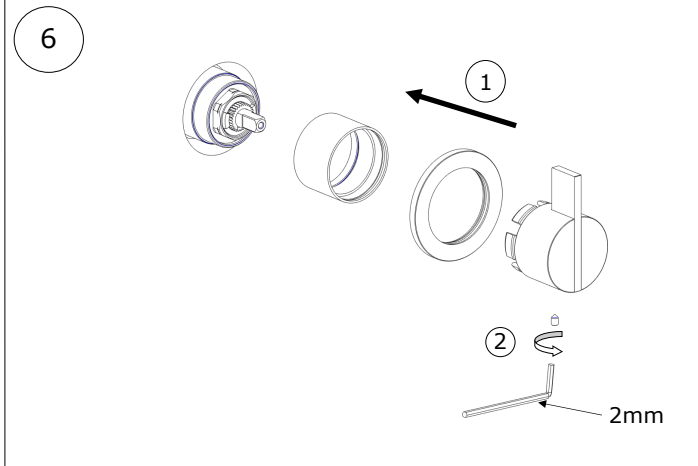
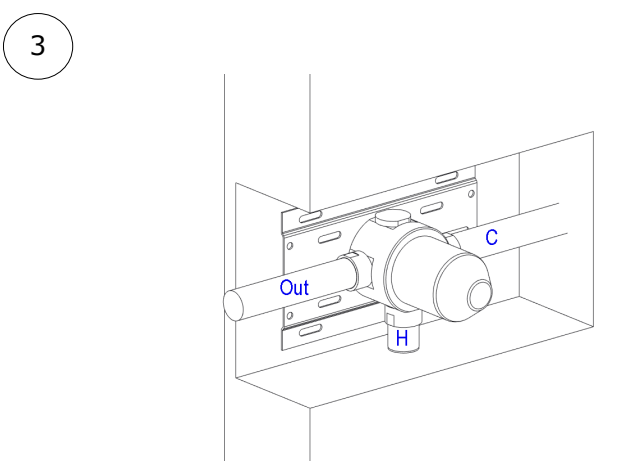
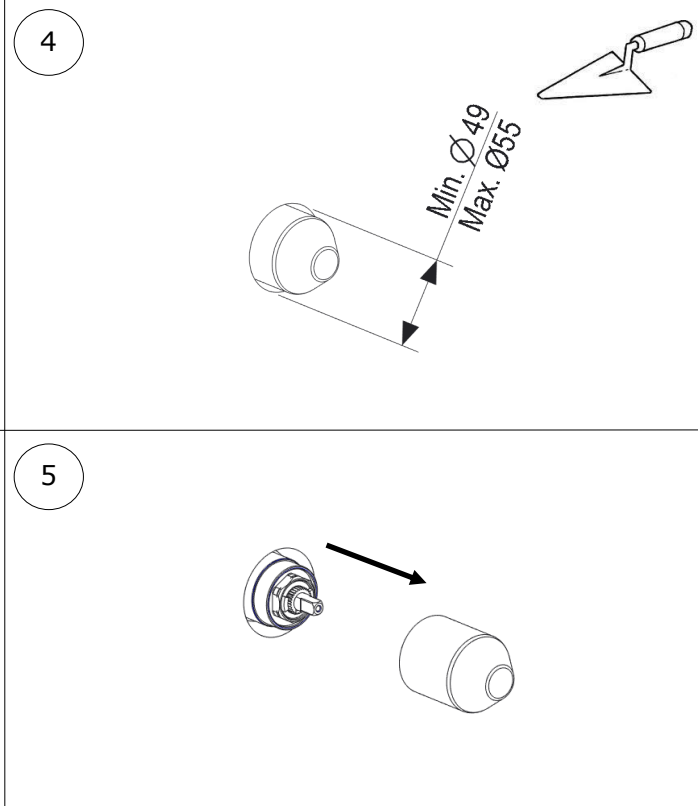
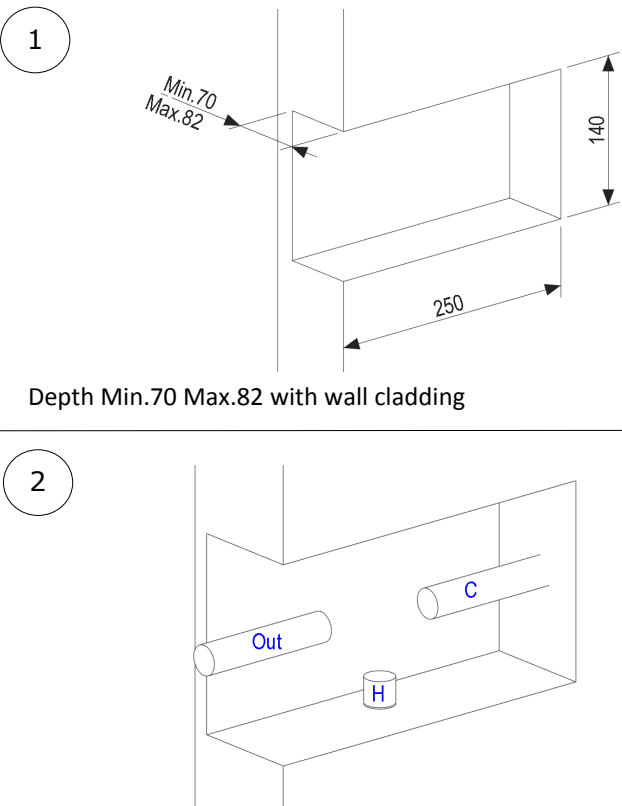
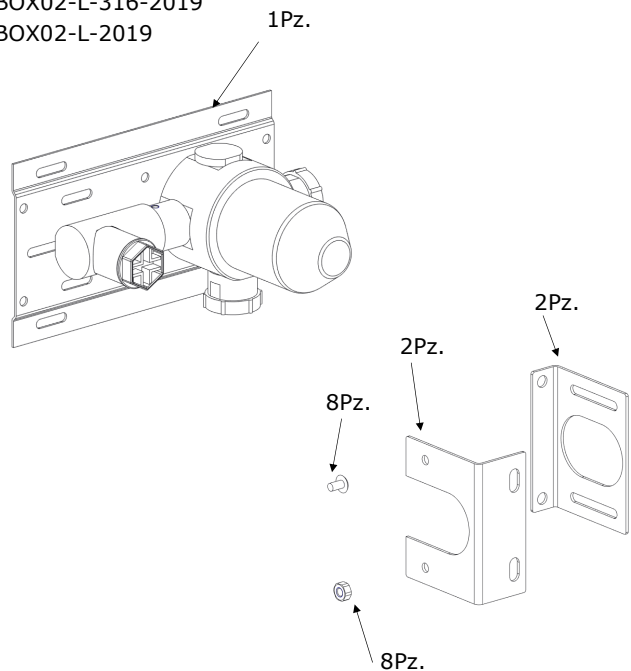
Depth Min.70 Max.82 with wall cladding




The contents of the box:

BOX02-L-316-2019

BOX02-L-2019



3.1  **After the operation 3, Test the plant !**
If the test is Ok, go with the point 4!

7 Clean all the surface with the apposite product, for the stainless steel faucet use water with a neutral detergent.