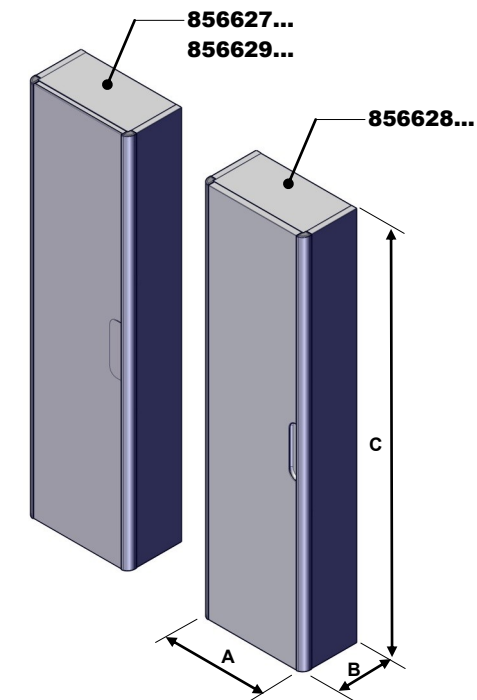
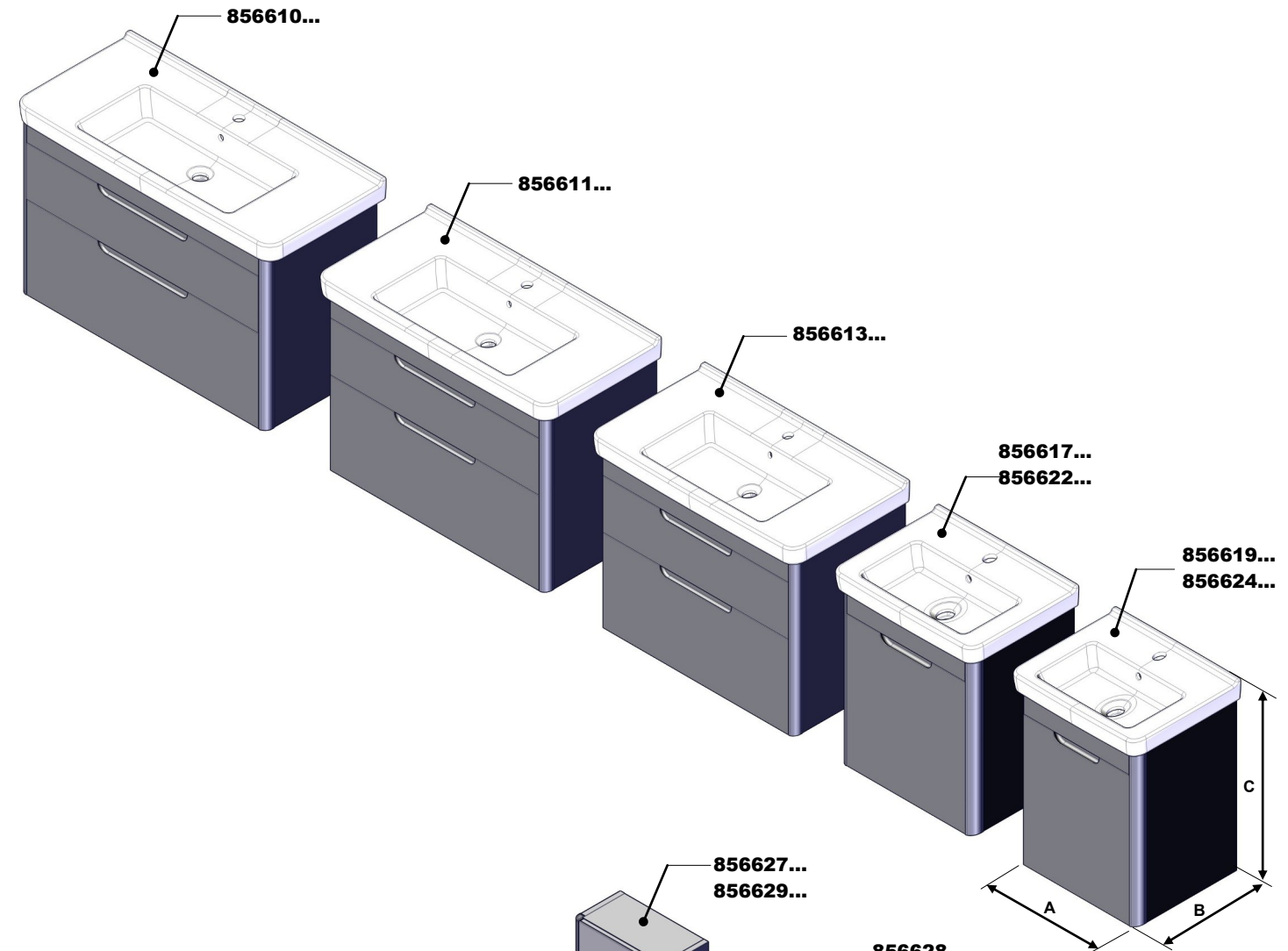
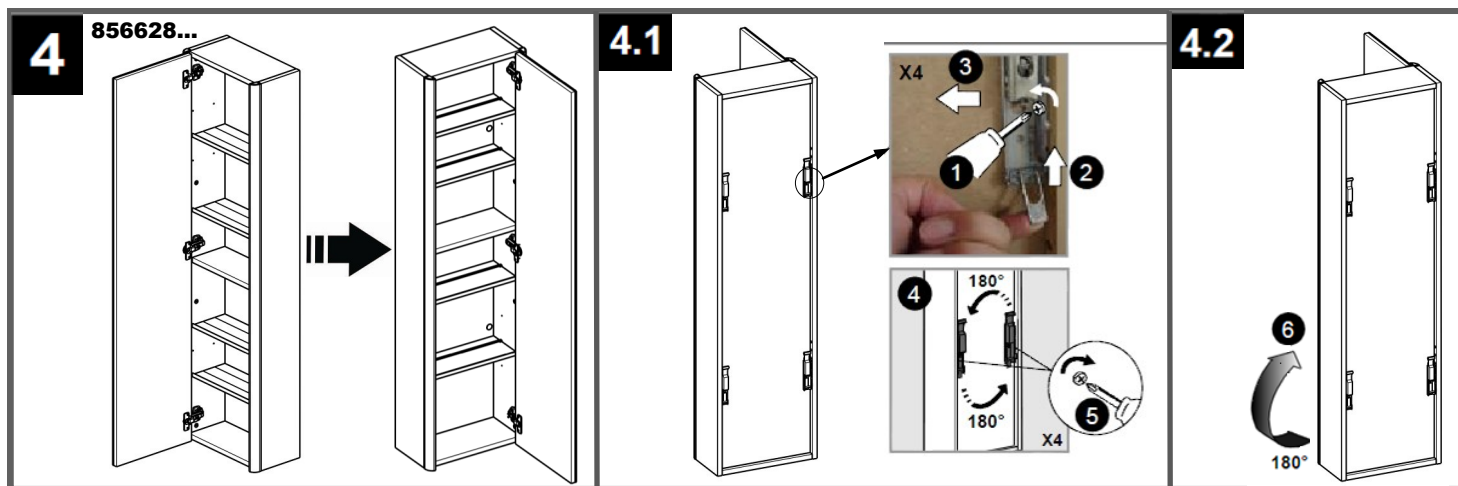
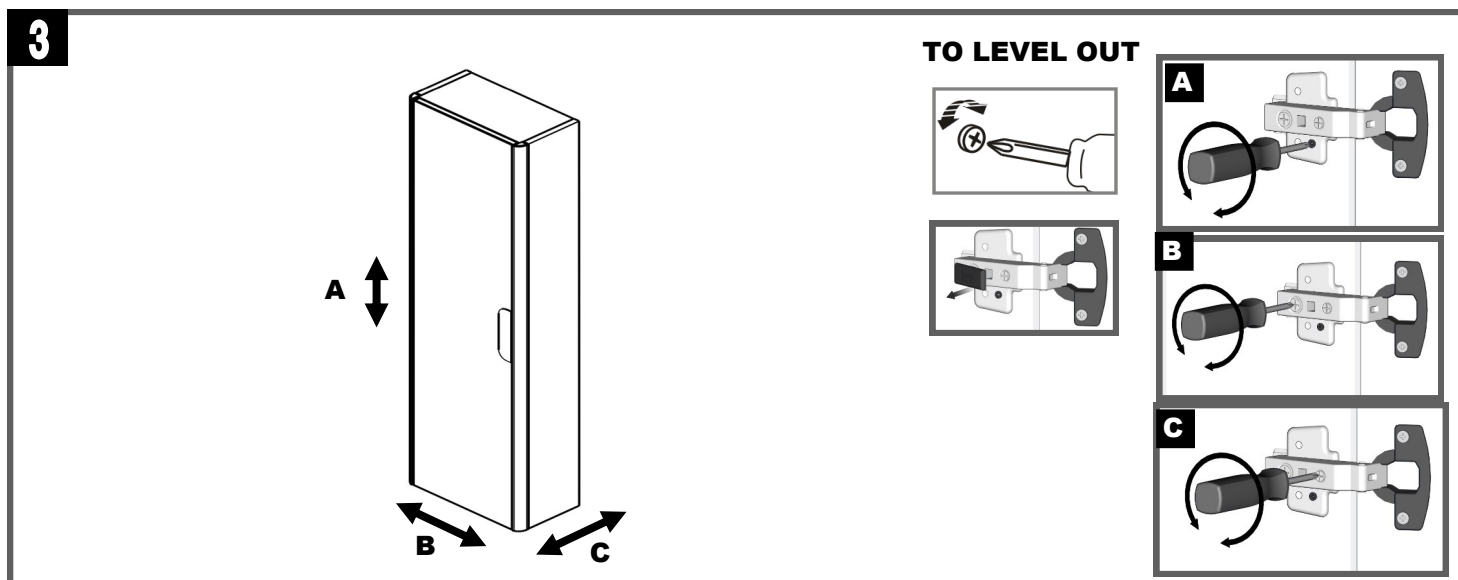
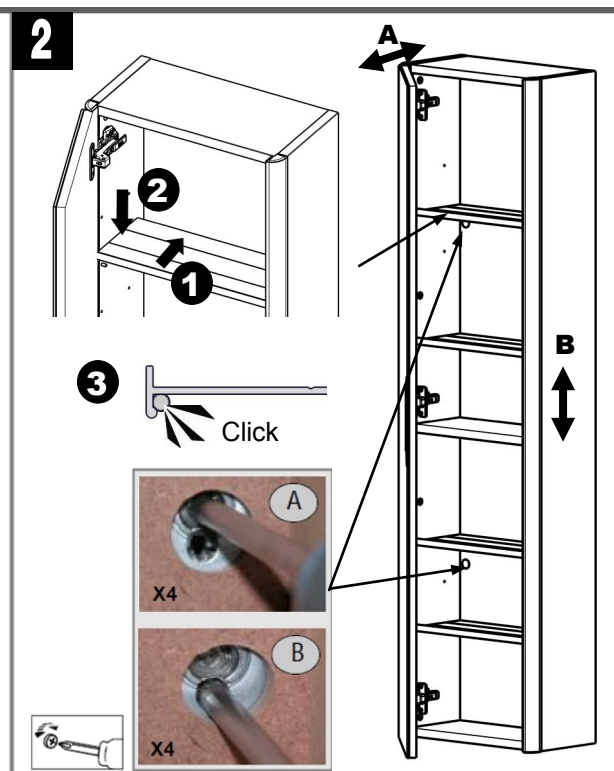
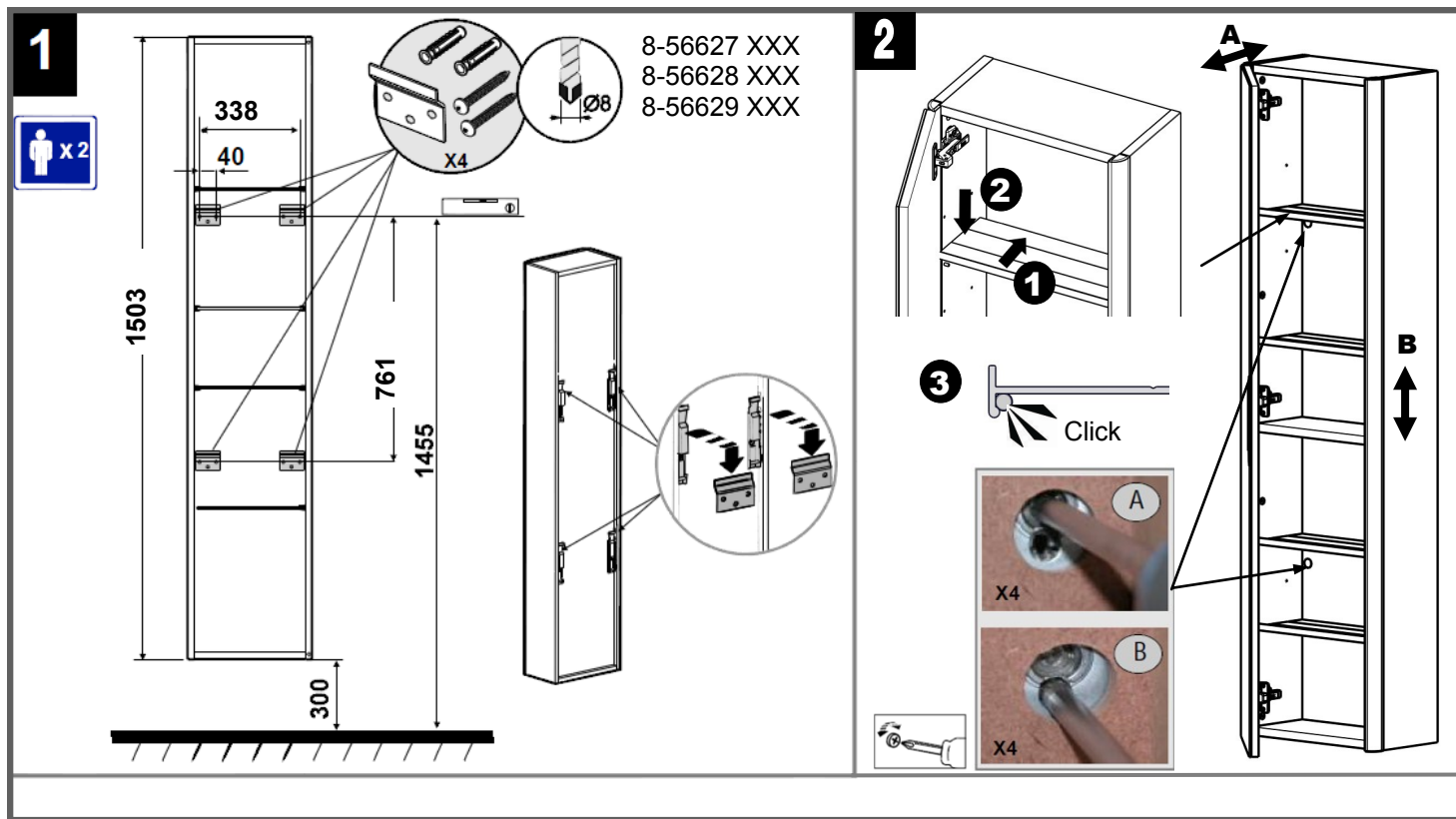




DAMA N



	mm		
	A	B	C
856610...	953	434	585
856611...	808	434	585
856613...	608	434	585
856617...	512	302	585
856622...	512	302	585
856619...	418	302	585
856624...	418	302	585
856627...	402	215	1500
856628...	402	215	1500



1 **1.1**

Ø12

L
H
X

1.2

1.3

mm		
L	H	X
280	810	850

2 (~mm)

850
150
530
610

A
Desagüe
Vidage
Waste pipe
Abwasserleitung
Scarico
Fogage

B
Conexión agua
Connection d'eau
Water connection
Wasseranschlüsse
Caricío dell'acqua
Conexão água

X1

3

A
T
S
M
N
H
~mm

X2

Taladros fijación pared
Trous fixation mur
Wall fixation holes
Wandbefestigungs löcher
Fori de fissaggio
Brocas fixaçao parede

Ø8

	A	T	M	N	H	S
856610...	1000	887	588	208	567,5	56,5
856611...	850	742	588	208	567,5	54
856613...	650	542	588	208	567,5	54
856617...	550	448	588	205	571,5	51
856622...						
856619...	450	352	588	205	571,5	49
856624...						

4A

4B

5

X2

5.1

5.2

5.3

5.4 TO LEVEL OUT

5.5

6

ADVERTENCIA
WARNING

INTERFERENCIA
INTERFERENCE

7

9

Click

8 TO LEVEL OUT

A
B
± 1,5 mm
± 1,5 mm

10 TO LEVEL OUT

A
B
C