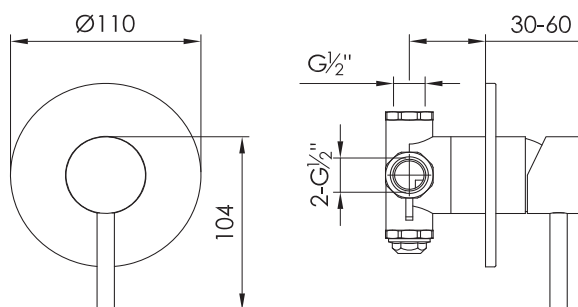




# JEE-O slimline mixer 01



Article code:	800-2100 ● Brushed	Connection:	3 x G 1/2" (ø15mm / 0.6")
	800-2103 ● Structured black	Thread:	British Standard Pipe (BSP)
Material:	Stainless Steel r304	Dimension package:	L 23 x W 15 x H 16 cm
Cleaning instructions:	download JEE-O shower and taps manual on our website: <a href="http://www.jee-o.com">www.jee-o.com</a>	Total weight:	1,26 kg
Cartridge:	Sedal ceramic mixing mechanism (40mm), item code 005-0102	Package weight:	0,27 kg
Flow at water of 38°C / 100,4°F:	11l / 2.9gal p/m at 3bar pressure	7 year warranty - The general conditions can be found on our website: <a href="http://www.jee-o.com/downloads">www.jee-o.com/downloads</a>	
		HS code:	84818011900
		Approvals:	SLS BS EN 817