

Technical Data Sheet

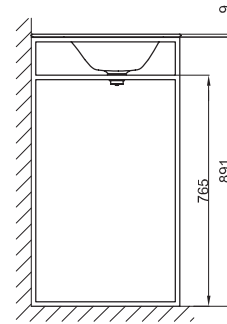
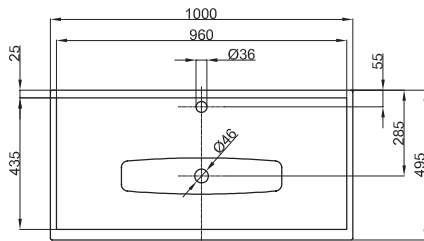


BETTELUX SHAPE WASHBASIN

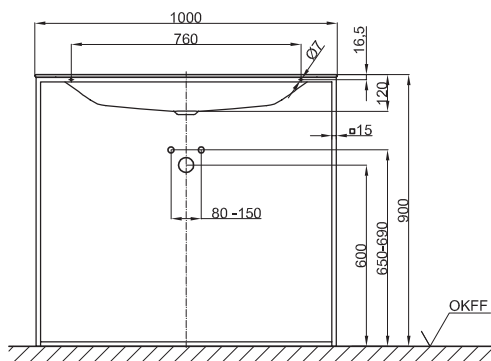
Built-in washbasin rectangular for **BETTELUX SHAPE WASHBASIN FRAME**, 1000 x 495 x 9 mm, enamelled inside and outside, with a taphole, without an overflow, incl. fastening material, prefitted washbasin adapter 1¼" and drain cover, chrome

Design: Tesseraux + Partner

article no.	A172 HLW1
dimension	100 x 49,5 x 0,9 cm
colours	can be delivered in white glossy (000), snow (440) and black glossy (056)
extras	available with the easy-to-clean surface BETTEGLAZE® PLUS



Dimensions for installation and connection



BETTELUX SHAPE WASHBASIN FRAME

Frame for **BETTELUX SHAPE WASHBASIN**, steel, powder-coated fine structure matt

article no.	Q012
dimension	100 x 49,5 cm
colours	can be delivered in <ul style="list-style-type: none"> • white (807) • taupe (809) • black (815) • sky (816) • mint (817) • rose (818)